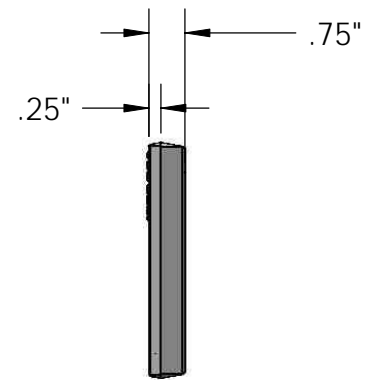


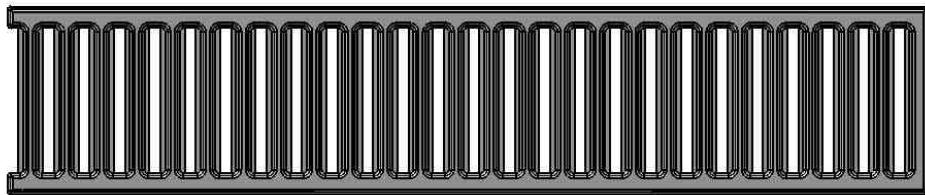
TOP VIEW
scale 1:4



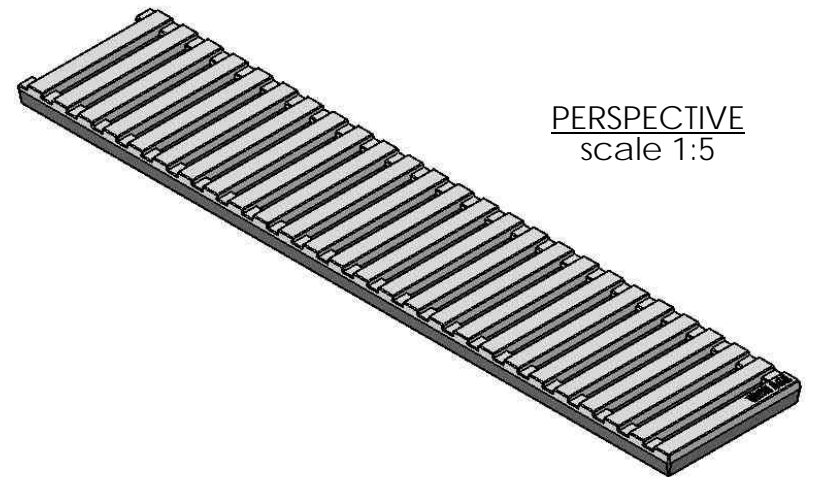
END VIEW
scale 1:4



EDGE VIEW
scale 1:4



BOTTOM VIEW
scale 1:5



PERSPECTIVE
scale 1:5

NOTES:

1. Material: cast iron
2. Finish: Natural
3. Total Thickness: 3/4"
4. **ADA Compliant:** No openings greater than 3/8"
5. Due to casting inconsistencies all dimensions are nominal

 **IRON AGE** 2104 SW 152nd St #4 TEL 206.276.0925
DESIGNS Burién, WA 98166 FAX 206.257.0318
www.ironagedesigns.com

Regular Joe 5"x24" Trench Grate Drawn by: CD
Date: 04/17/08
DWG. NO. JOE.A.5x24 Scale: NTS