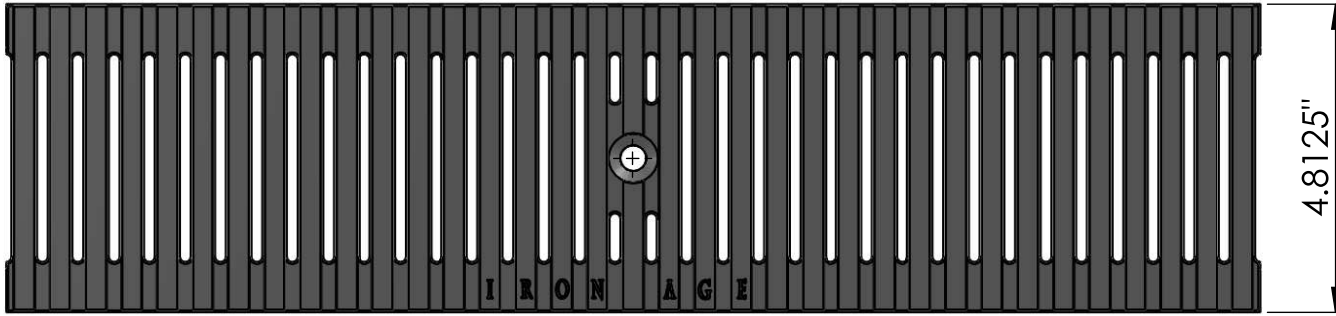


TOP

Scale 1:5

19.60"



4.8125"

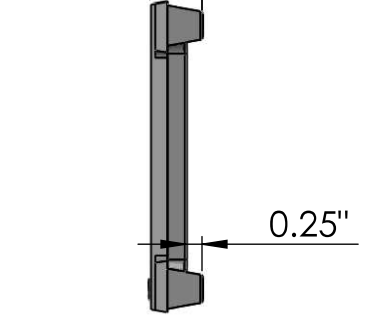
I R O N A G E

END

Scale 1:5

0.8125"

0.5625"



0.25"

0.25"

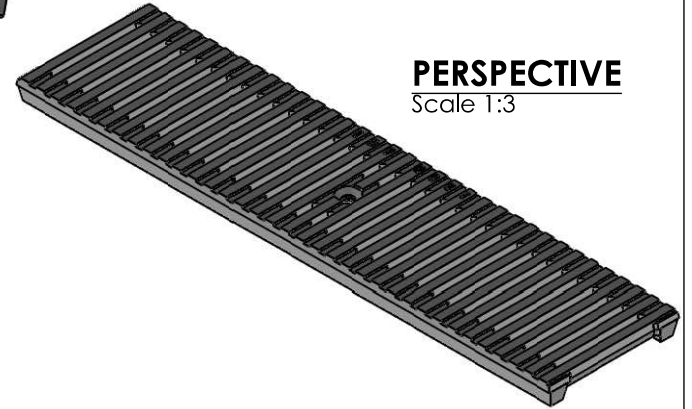
SIDE

Scale 1:5



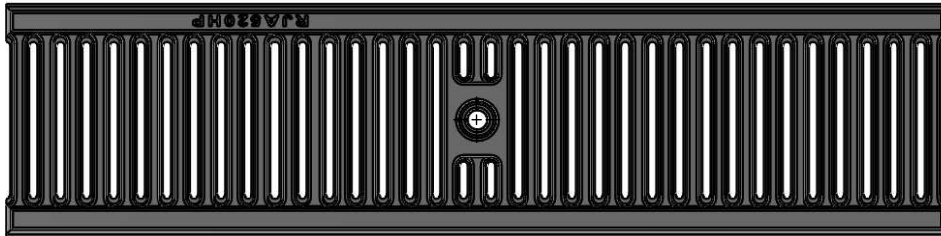
PERSPECTIVE

Scale 1:3




BOTTOM

Scale 1:4



NOTES:

1. Material: Cast iron
2. Finish: Natural
3. No openings greater than 1/4"
4. Heelproof & ADA **compliant**
5. Fits drain channel manufactured by:
ABT® PolyDrain®, ACO™ K100/K100S/KS100, MEA® 1000 Series
6. Weight approx. <10 lbs
7. Due to casting inconsistencies all dimensions are nominal



IRON AGE 2104 SW 152nd St. #4 TEL 206.276.0925
DESIGNS Burien, WA 98166 FAX 206.257.0318
 www.ironagedesigns.com

Regular Joe 5"x20" Heel- Proof Trench Grate

JOB NO. 91113PP2

Drawn by: JH

DWG. NO. RJOE.A.5x20_HP

Date: 8/7/12

Scale: NTS

© 2012 Iron Age Designs