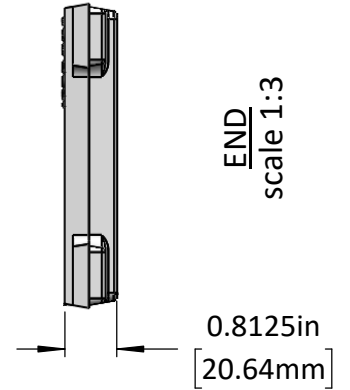
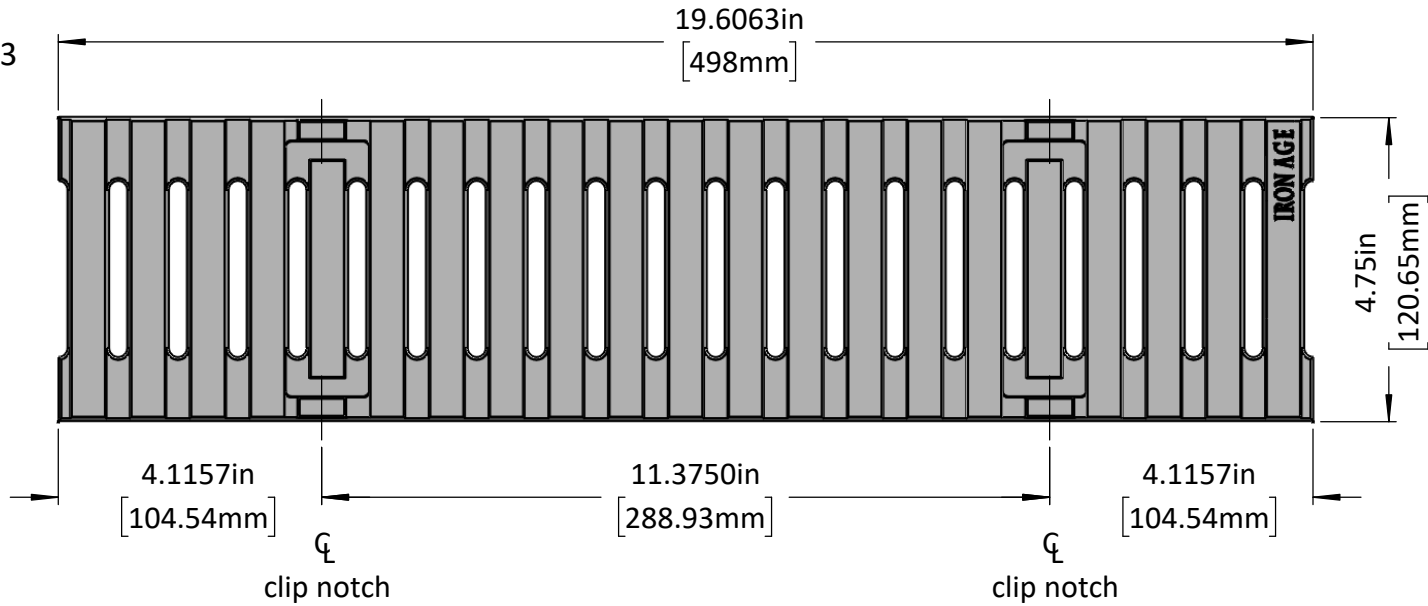
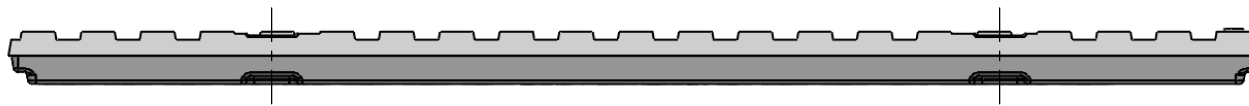


TOP
scale 1:3



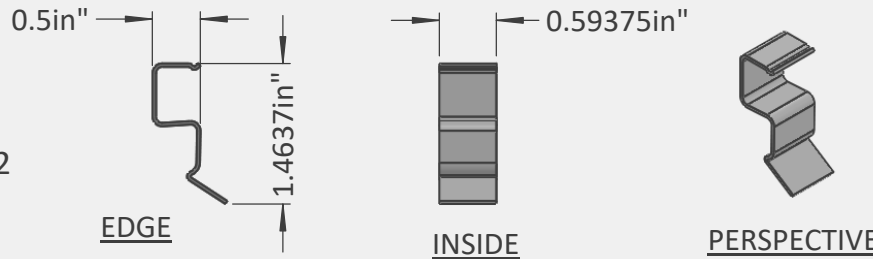
EDGE
scale 1:3



REAR DESIGNATION

NOTE:
Fastening clips available to order directly through NDS® Filcoten®

CLIP
20 gage spring steel
scale 1:2 see sheet 2



NOTES:

1. Heel Proof: No openings greater than 1/4".
2. Cast in 1 piece. 4 clips to hold down.
3. Due to casting inconsistencies, all dimensions are nominal.

Made in USA ©2018 Iron Age Designs

Regular Joe 5" x 20" Heel Proof Trench Grate - fits Filcoten®

IRON AGE
DESIGNS
Telephone 206.276.0925
www.ironagegrates.com

Material: Cast Ductile Iron
Standard Finish: Raw
Fits: Filcoten Tec V 100 (clips sold separately)

Weight: 13 lbs.
Edge Thickness: 0.8125"
Product ID: RJF5-20I81HP

Free Area (approx): n/a
Gallon/ Min sq area x FDA (approx): x1.31= GPM
Drawing Name: 03-JOE.F.5x20_HP

By: CD Date: 6/1/18
Scale: 1:3