

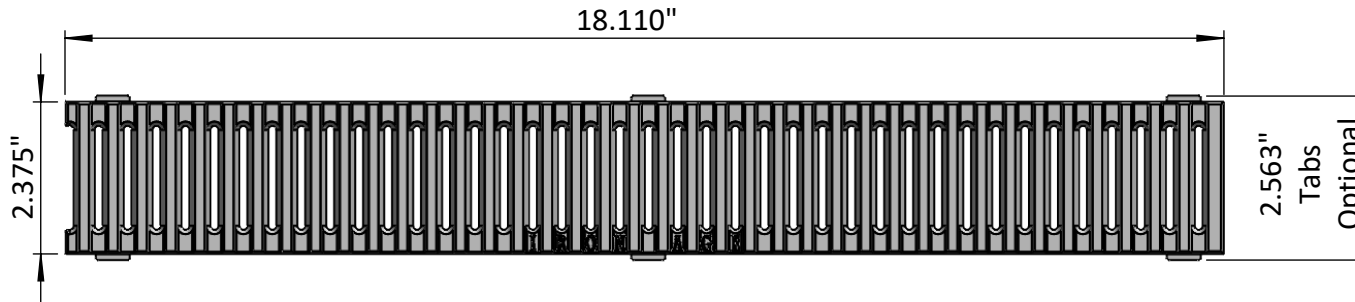
3 ARRAY

scale 1:6



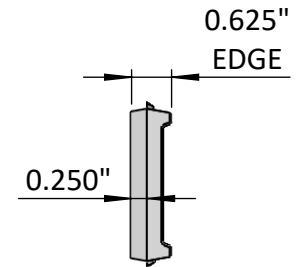
Top VIEW

scale 1:3



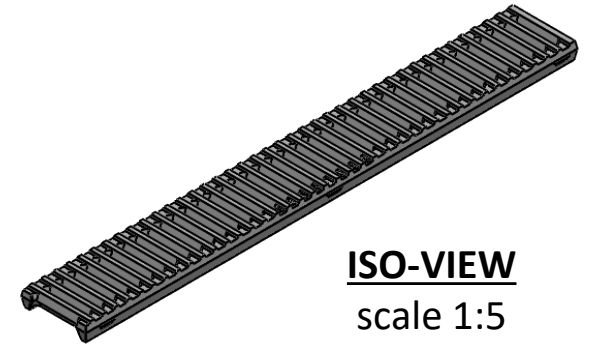
END VIEW

scale 1:3



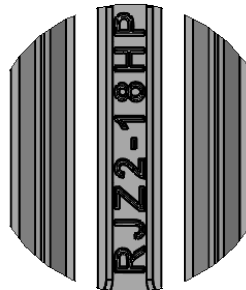
SIDE VIEW

scale 1:3



ISO-VIEW

scale 1:5



CASTING -ID

scale 1:1

NOTES:

1. Heel Proof: No thru openings greater than 1/4".
2. Ships in 1 piece.
3. Due to casting inconsistencies, all dimensions are nominal.

Regular Joe 2" x 18" Heel Proof Trench Grate

Made in USA ©2017 Iron Age Designs