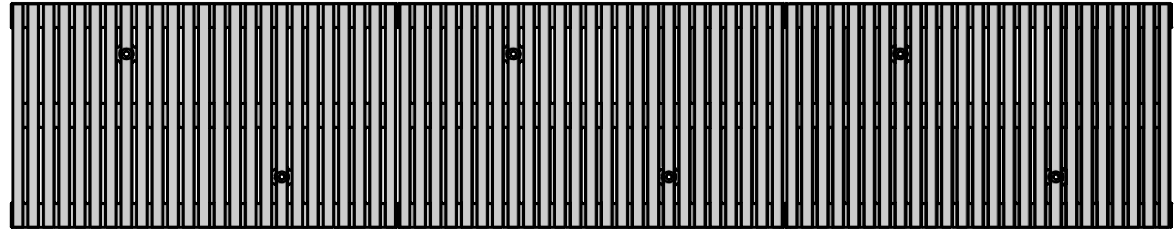
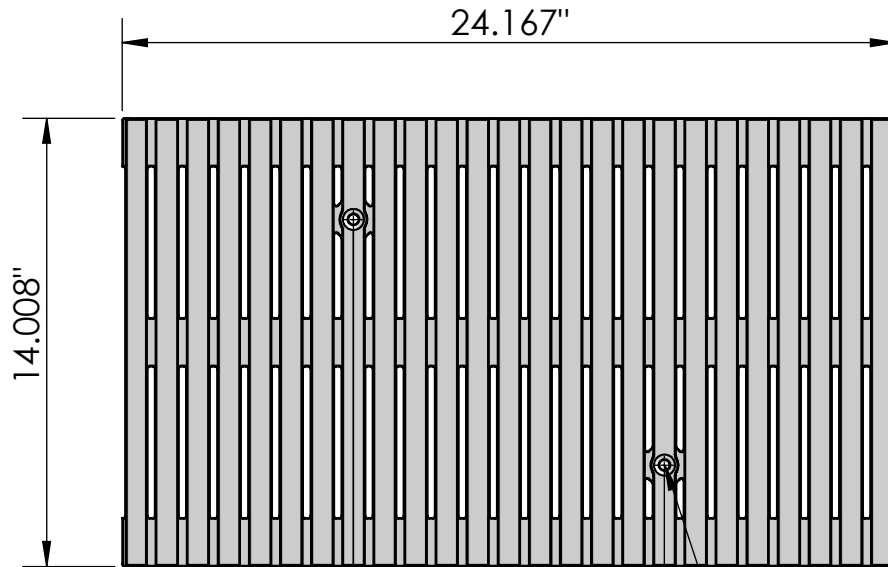


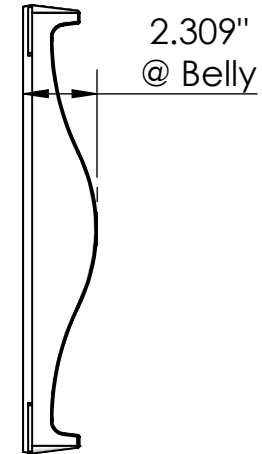
3 ARRAY
scale 1:12



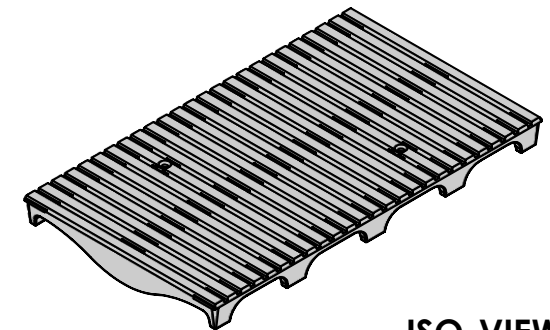
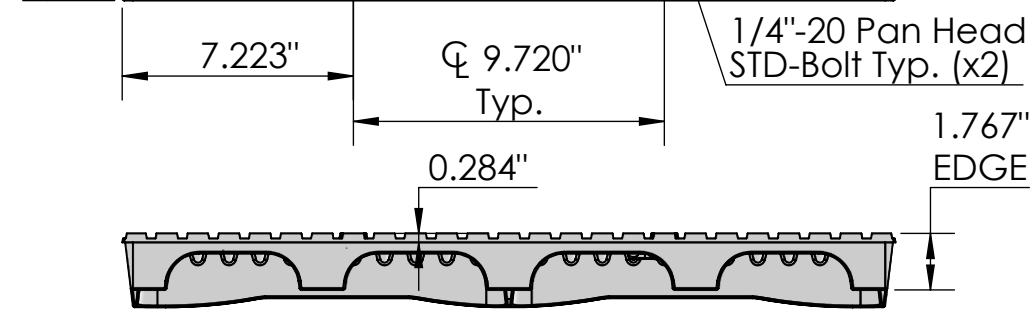
TOP VIEW
scale 1:6



END VIEW
scale 1:6



SIDE VIEW
scale 1:6



ISO-VIEW
scale 1:10

NOTES:

1. Heelproof: No openings greater than 1/4".
2. Ships in pieces: 1
3. Due to casting inconsistencies, all dimensions are nominal.

Made in USA ©2026 Iron Age Designs

Regular Joe 14"x 24" Trench Grate - Heel Proof - Heavy Duty



Material: Ductile Iron 65-45-12	Weight: 51.60lbs	Free Drain Area: 115.00 in/sq., or 33.97 %	By: RJ	Checked: MS	Date: 3-9-26
Finish: Raw	Edge: 1.767"	Flow Rate: 150.65 GPM, or 0.335 CuFt./sec.	© Registration: Pending Scale: NTS		
Fits: Iron Age Custom Frames SOLD SEPARATELY	Product ID: RJX14-24I99HPHD	Drawing Name: 08_RJoe_I_14x24HP_TrenchGrate_Iron			