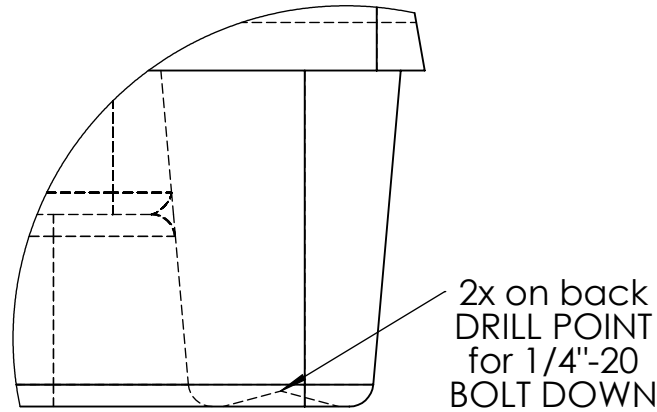
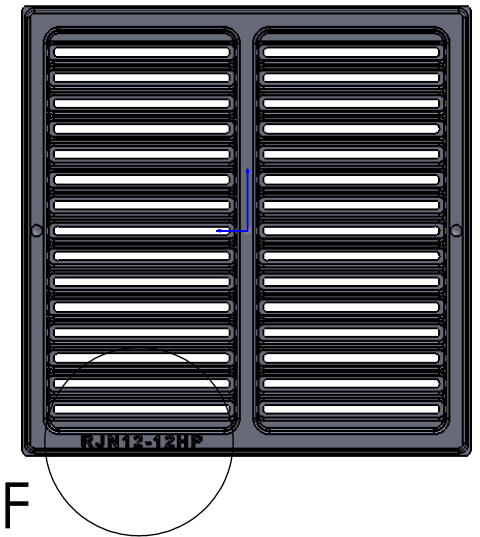


SECTION E-E



DETAIL B

SCALE 2 : 1



DETAIL F

SCALE 2 : 5

Notes:

1. Heel Proof: No openings greater than 1/4".
2. Due to casting inconsistencies, all dimensions are nominal.

©2017 Iron Age Designs

Regular Joe 12" x 12" Heel Proof Catch Basin Grate

IRON AGE
DESIGNS
Telephone 206.276.0925
www.ironagegrates.com

Material: Cast Ductile Iron

Weight: 15.7 lbs.

Free Area 22.44% (approx):

Standard Finish: Natural

Edge Thickness: 1-1/8"

Gallon/ Min (approx): 40.11

Scale: none

Fits: NDS 1200 CATCH BASIN Series

Product ID: RJN12-12HP

By: MS

Date: 11-8-17