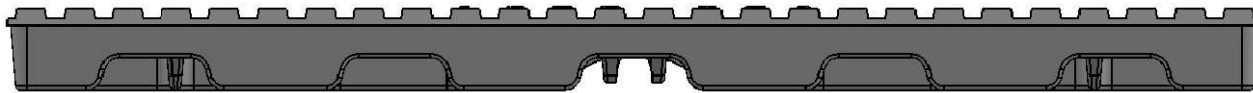
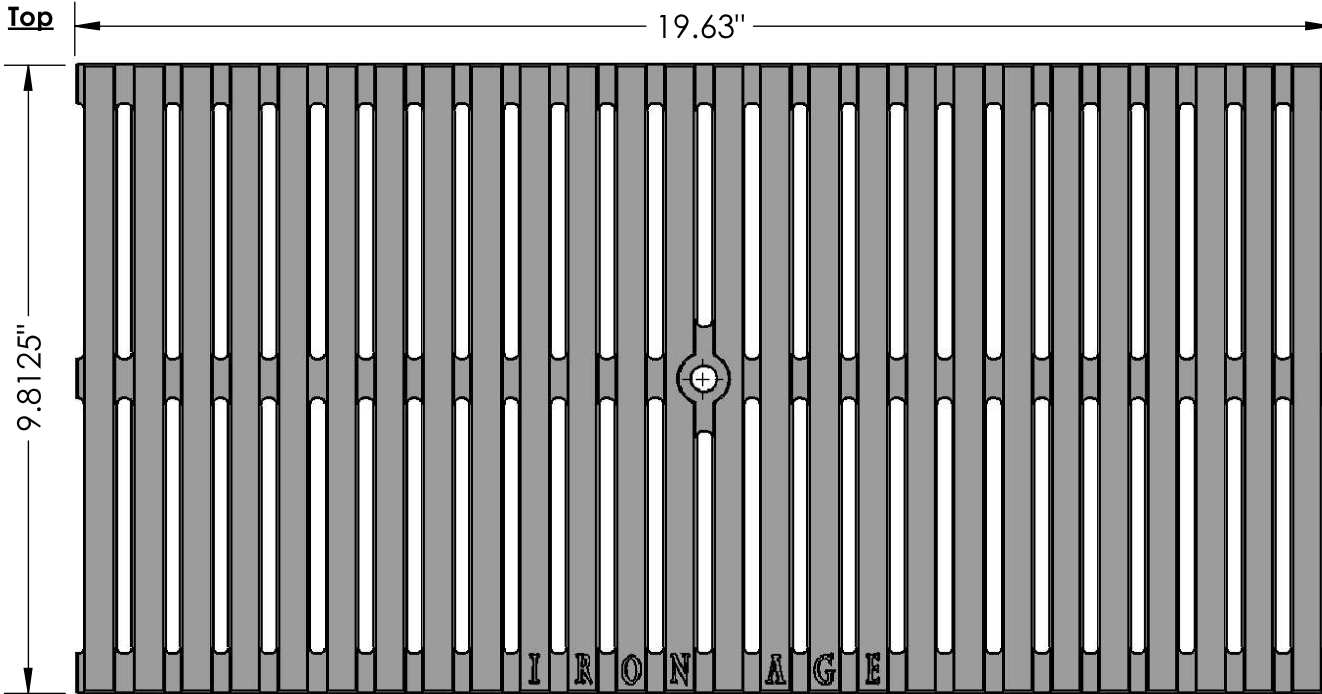
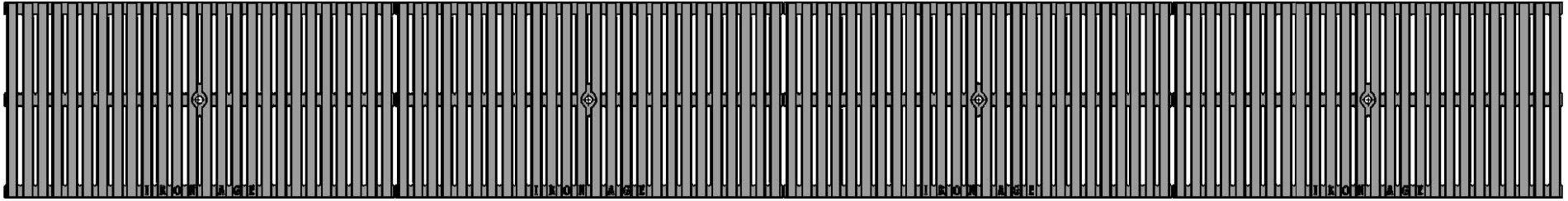
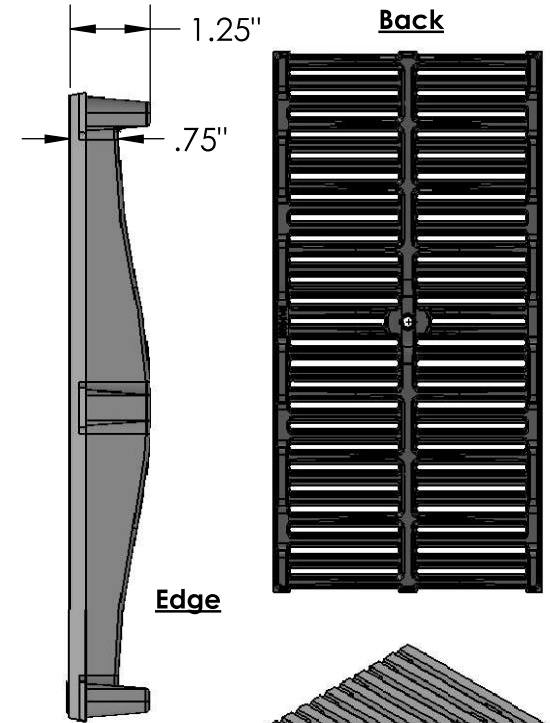


**4x Array**

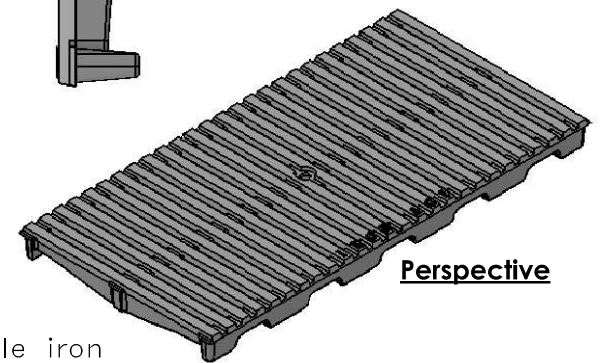


**Side**



**Edge**


**Back**



**Perspective**

**NOTES:**

1. Material: cast ductile iron
2. Finish: Natural
3. Edge thickness: 1 1/4"
4. Fits frame by: Iron Age
5. Heelproof; No openings greater than 1/4"
6. Weight approx. 27lbs
7. Due to casting inconsistencies all dimensions are nominal

 **IRON AGE** 2104 SW 152nd St #4 TEL 206.276.0925  
 DESIGNS Burién, WA 98166 FAX 206.257.0318  
 www.ironagedesigns.com

**Regular Joe 10"x20" Trench Grate**

JOB NO. \_\_\_\_\_ Drawn by: JH  
 Date: 1/1/15  
 DWG. NO. 01-JOE.A.10x19.63\_HP Scale: Not to Scale