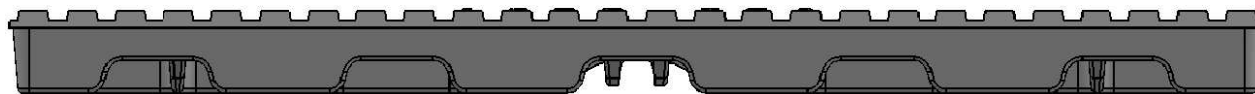
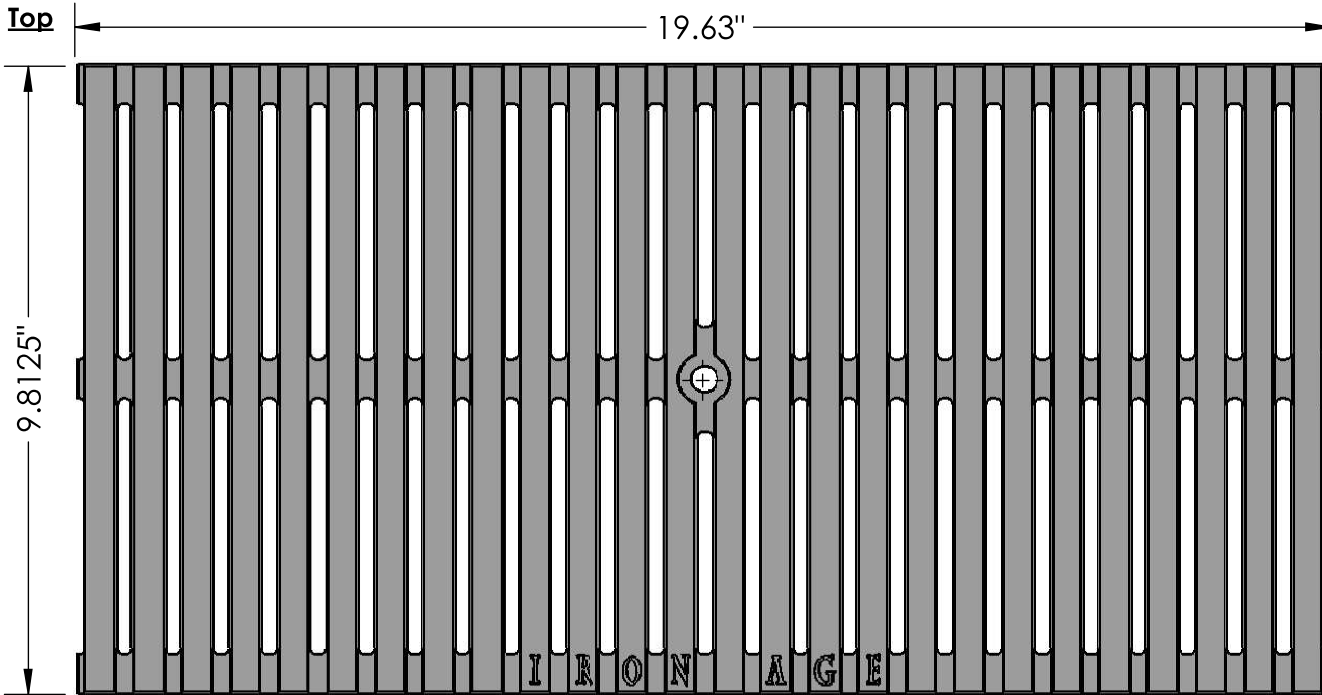
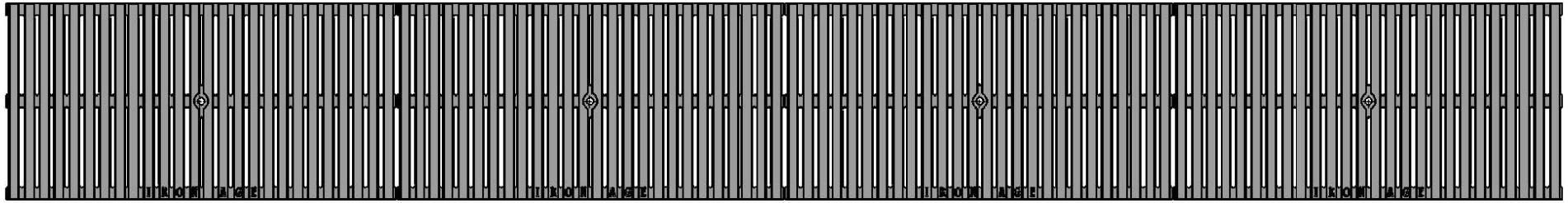
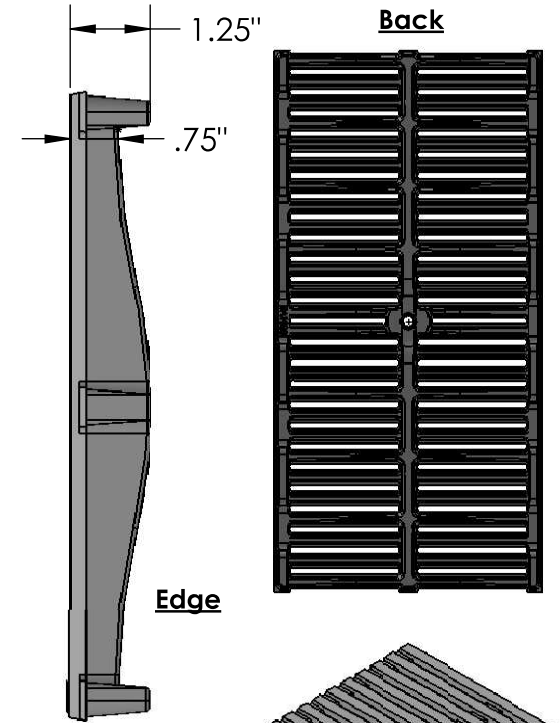


**4x Array**

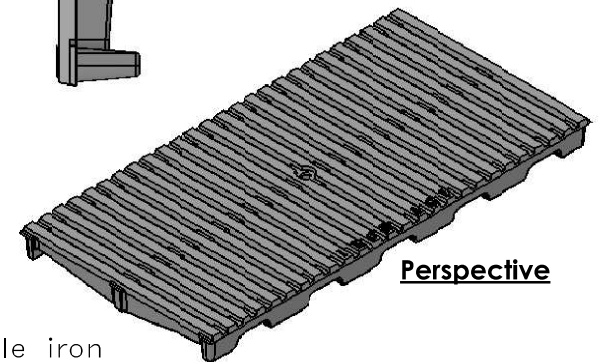


**Side**



**Edge**


**Back**



**Perspective**

**NOTES:**

1. Material: cast ductile iron
2. Finish: Natural
3. Edge thickness: 1 1/4"
4. Fits **ABT® Polydrain® PDX- 8**
5. Heelproof; No openings greater than 1/4"
6. Weight approx. 27lbs
7. Due to casting inconsistencies all dimensions are nominal

 **IRON AGE** 2104 SW 152nd St #4 TEL 206.276.0925  
**DESIGNS** Burien, WA 98166 FAX 206.257.0318  
 www.ironagedrains.com

Regular Joe 10"x20" Heel-Proof,  
 Heavy-Duty Trench Grate

Drawn by: JH  
 Date: 1/1/15  
 Scale: Not to Scale

DWG. NO. 01-JOE.A.10x19.63\_HP