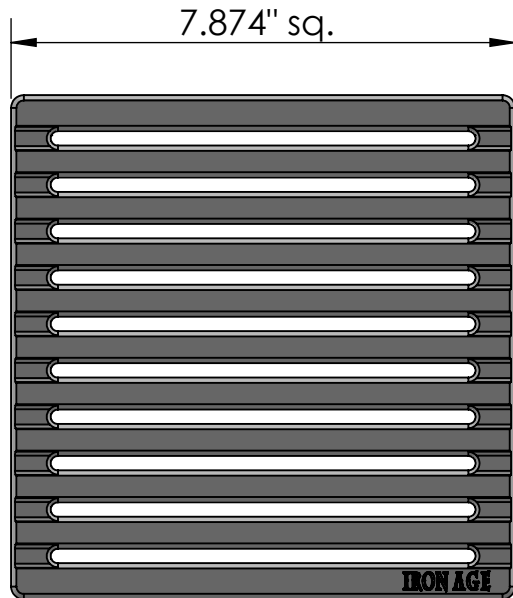
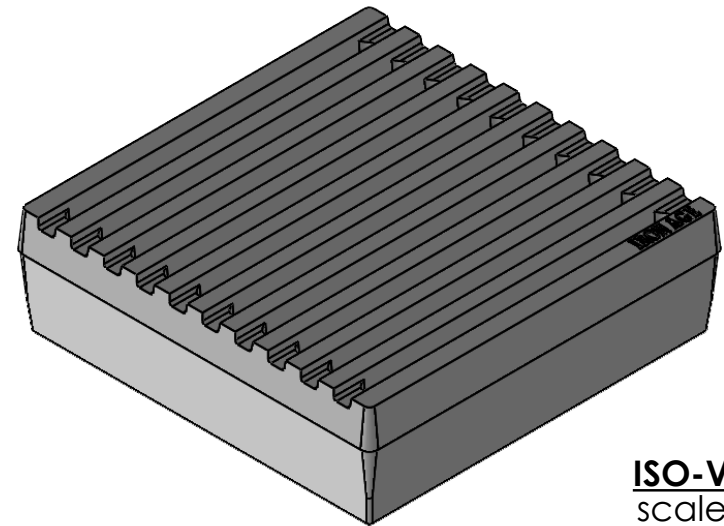


**TOP VIEW**  
scale 1:3

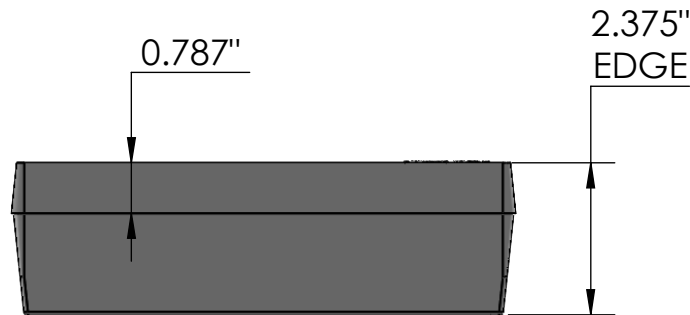


**CASTING-ID**  
scale 1:1



**ISO-VIEW**  
scale 1:3

**SIDE VIEW**  
scale 1:3




**NOTES:**

1. Heelproof: No thru openings greater than ¼".
2. Ships in pieces: 1
3. Due to casting inconsistencies, all dimensions are nominal.

Made in USA ©2013 Iron Age Designs

**Regular Joe 8" x 8" Catch Basin Grate - Heel Proof**

 <b>IRON AGE</b> <b>DESIGNS</b> Telephone 206.276.0925 www.ironagegrates.com	<b>Material:</b> Ductile Iron 65-45-12	<b>Weight:</b> 12.04lbs.	<b>Free Drain Area:</b> 14.82 in/sq., or 23.91 %	<b>By:</b> MS <b>Checked:</b> MS <b>Date:</b> 7-29-21
	<b>Finish:</b> Raw	<b>Edge:</b> 2.375"	<b>Flow Rate:</b> 19.42 GPM, or .043 CuFt./sec.	<b>© Registration:</b> Pending <b>Scale:</b> NTS
	<b>Fits:</b> Iron Age CustomFrames SOLD SEPARATELY	<b>Product ID:</b> RJX8-8I99HP	<b>Drawing Name:</b> 02_Reg-Joe_I_8x8HP_CatchBasinGrate_Iron	