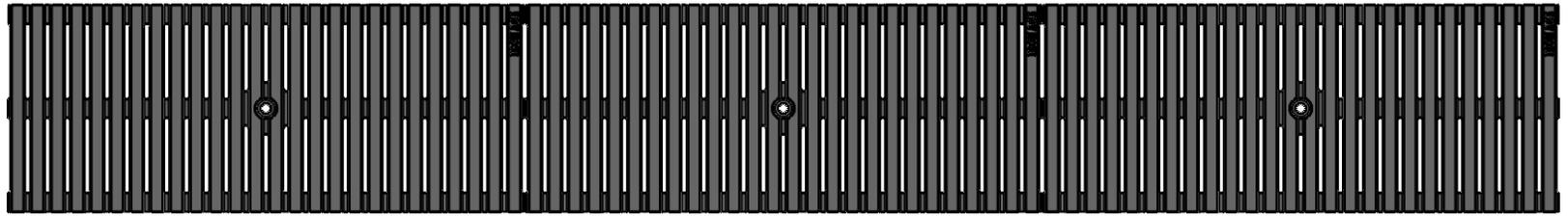
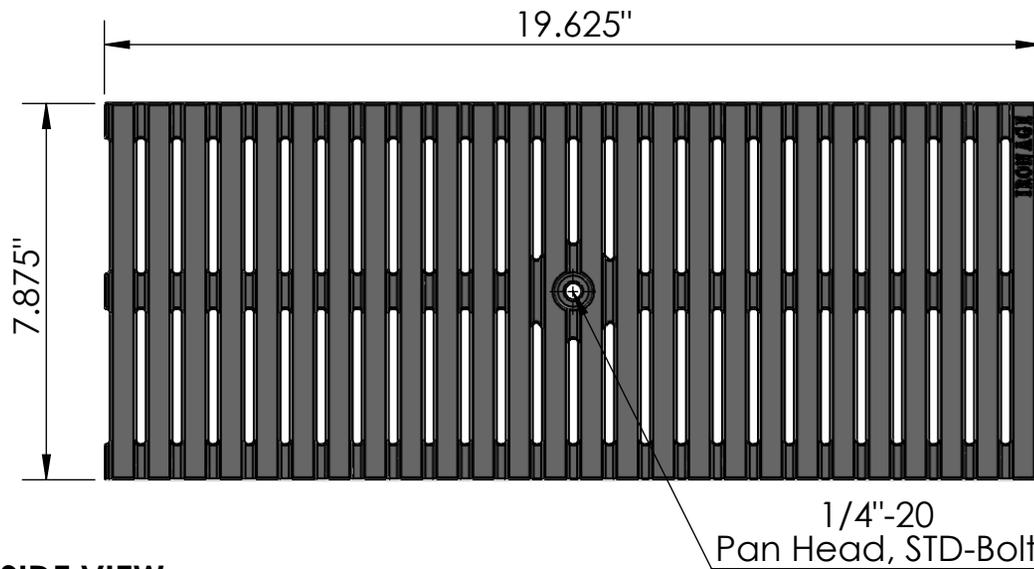


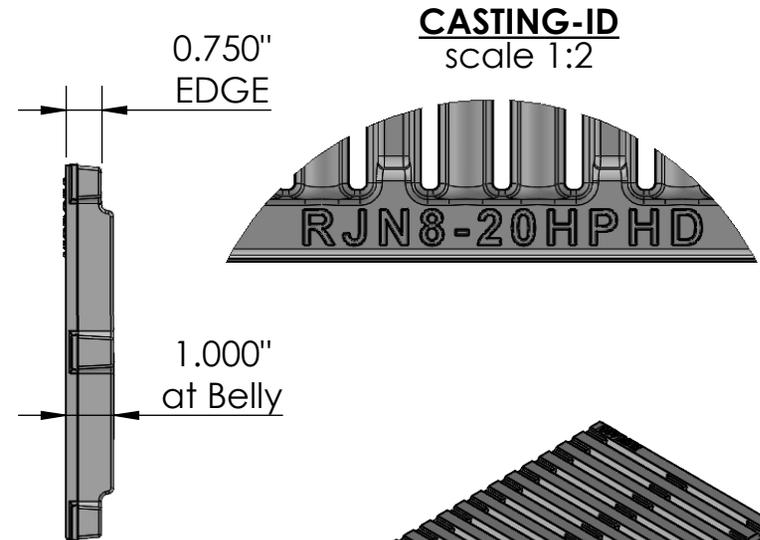
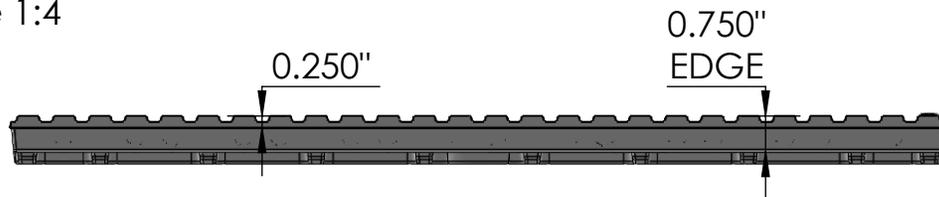
3 ARRAY
scale 1:7



TOP VIEW
scale 1:4



SIDE VIEW
scale 1:4



ISO-VIEW
scale 1:6

NOTES:

1. Heelproof: No thru openings greater than 1/4".
2. Ships in pieces: 1
3. Due to casting inconsistencies, all dimensions are nominal.

Made in USA ©2023 Iron Age Designs

Regular Joe 8" x 20" Trench Grate - Heel Proof - Heavy Duty

 IRON AGE DESIGNS Telephone 206.276.0925 www.ironagegrates.com	Material: Ductile Iron 65-45-12	Weight: 19.92 lbs.	Free Drain Area: 26.73 in/sq., or 17.30 %	By: MS Checked: MS Date: 11-27-23
	Finish: Raw	Edge: .750"	Flow Rate: 35.02 GPM, or .078 CuFt./sec.	© Registration: Pending Scale: NTS
	Fits: NDS® 8" Pro Series	Product ID: RJN8-20I04HPPHD	Drawing Name: 03_RJoe_I_8x20HPPHD_TrenchGrate_Iron	