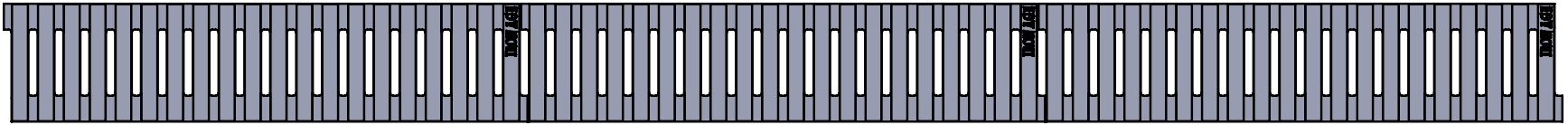


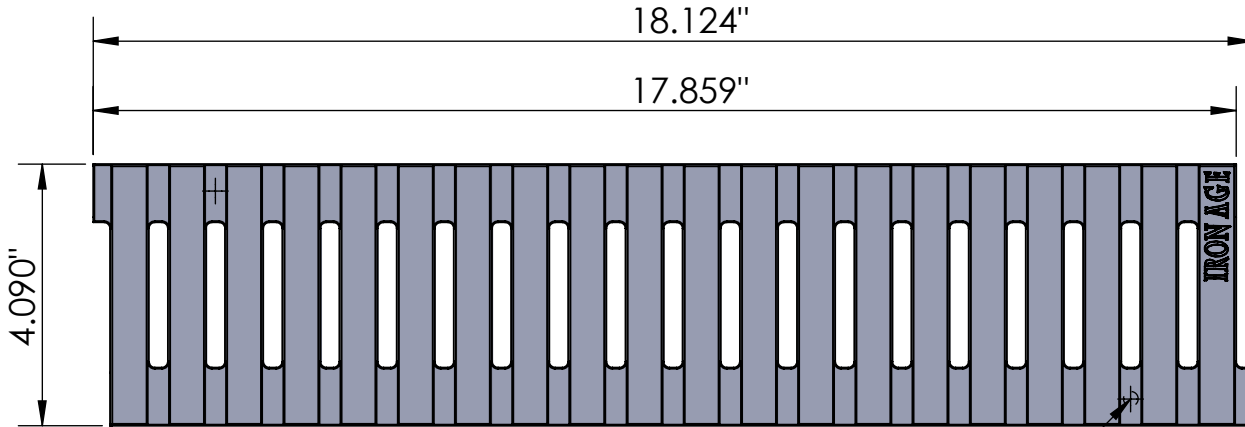
3 ARRAY

scale 1:6



TOP VIEW

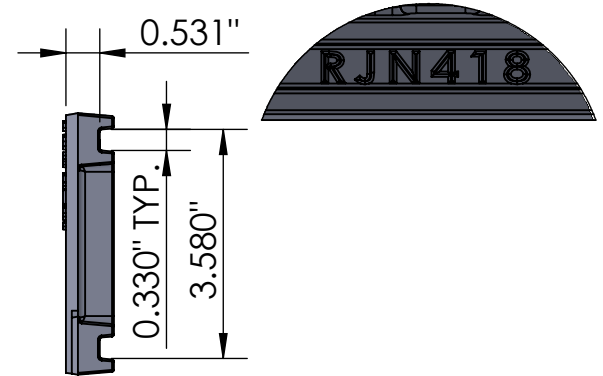
scale 1:3



2 Drill Points
in Back
Opp. Corners

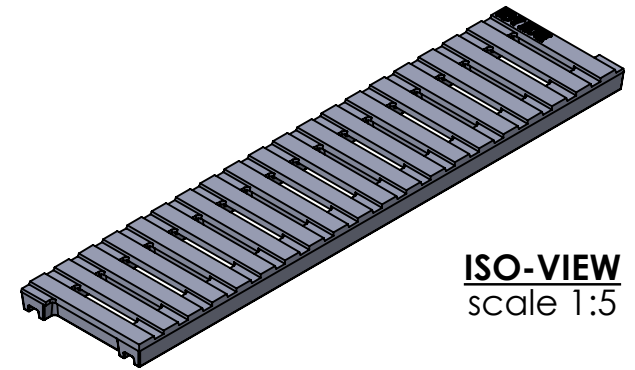
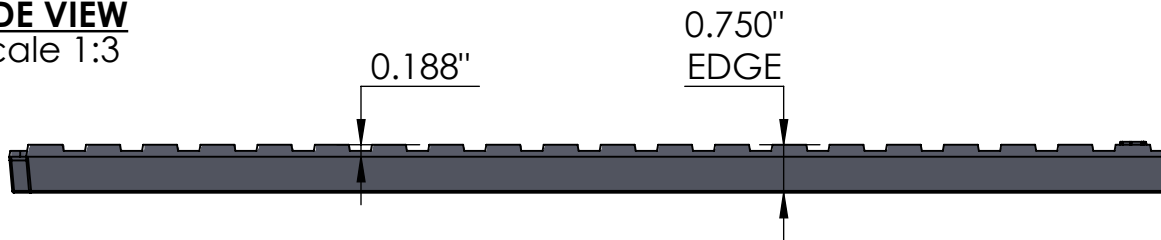
CASTING-ID

scale 2:3



SIDE VIEW

scale 1:3



ISO-VIEW


scale 1:5

NOTES:

1. ADA Compliant: No thru openings greater than 1/2".
2. Ships in pieces: 1
3. Due to casting inconsistencies, all dimensions are nominal.

©2016 Iron Age Designs

Regular Joe 4" x 18" Trench Grate

 IRON AGE DESIGNS Telephone 206.276.0925 www.ironagegrates.com	Material: Ductile Iron 65-45-12	Weight: 7.20 lbs.	Free Drain Area: 13.32 in/sq., or 18.23 %	By: MS	Checked: MS	Date: 10-12-23
	Finish: Raw	Edge: 0.750"	Flow Rate: 17.45 GPM, or .038 CuFt./sec.	© Registration: Pending	Scale: NTS	
	Fits: NDS® Spee-D® Channel	Product ID: RJN4-18I02	Drawing Name: 02_RJoe_N_4x18_TrenchGrate_Iron_India			