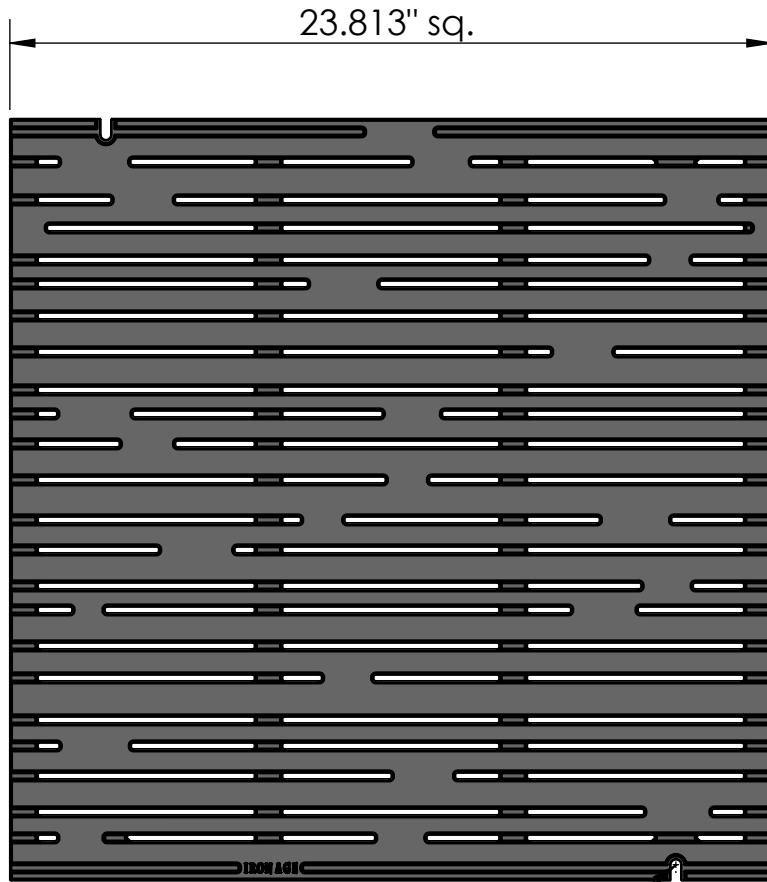
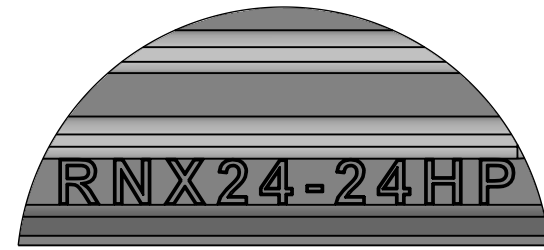


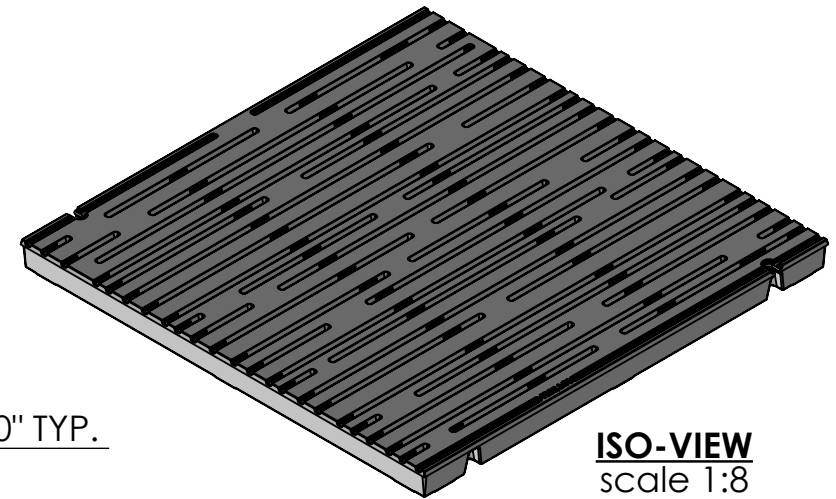
TOP VIEW
scale 1:6



23.813" sq.

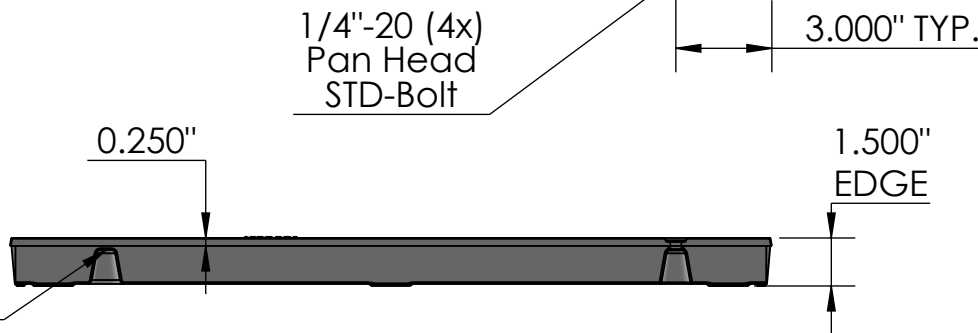


CASTING-ID
scale 1:1



ISO-VIEW
scale 1:8

SIDE VIEW
scale 1:6



1/4"-20 (4x)
Pan Head
STD-Bolt

3.000" TYP.

0.250"

1.500"
EDGE


2 Drill Points
in Back
Opp. Corners

NOTES:

1. Heelproof: No thru openings greater than 1/4".
2. Ships in pieces: 1
3. **Pedestrian Load ONLY**
4. Due to casting inconsistencies, all dimensions are nominal.

Made in USA ©2022 Iron Age Designs

Rain 24" x 24" Catch Basin Grate - Heel Proof

 IRON AGE DESIGNS Telephone 206.276.0925 www.ironagegrates.com	Material: Ductile Iron 65-45-12	Weight: 63.83 lbs.	Free Drain Area: 74.69 in/sq., or 14.73 %	By: MS Checked: MS Date: 12-2-22
	Finish: Raw	Edge: 1.500"	Flow Rate: 97.85 GPM, or .217 CuFt./sec.	© Registration: Pending Scale: NTS
	Fits: Iron Age Custom Frames SOLD SEPARATELY	Product ID: RNX24-24I99HP	Drawing Name: 01_RAI_I_24x24HP_CatchBasin	