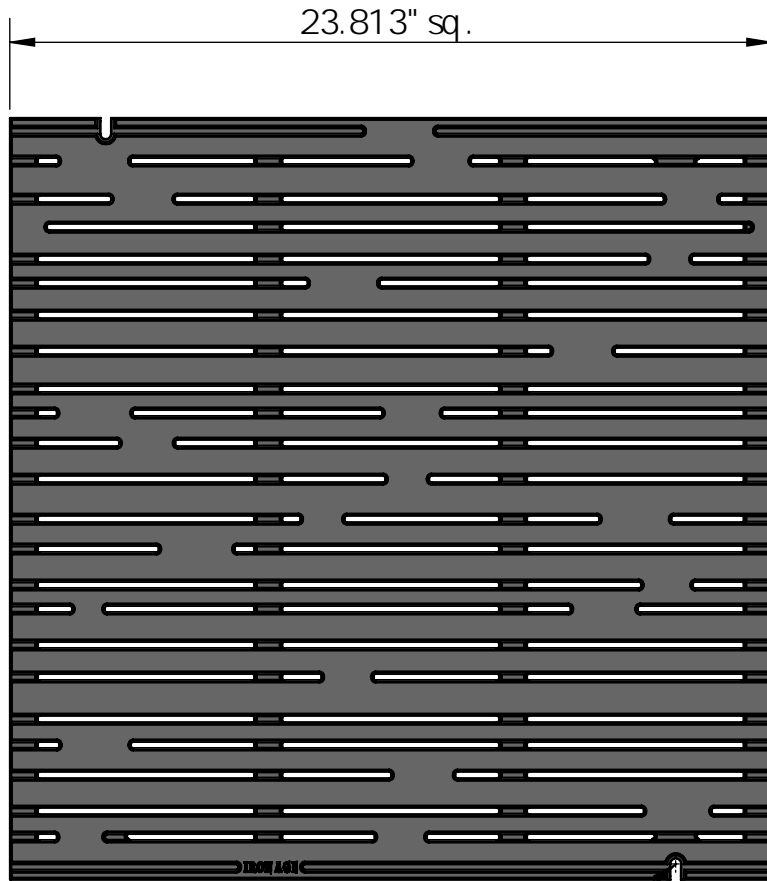
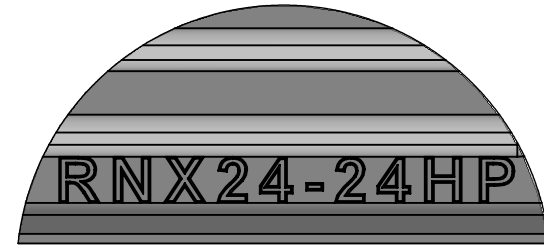


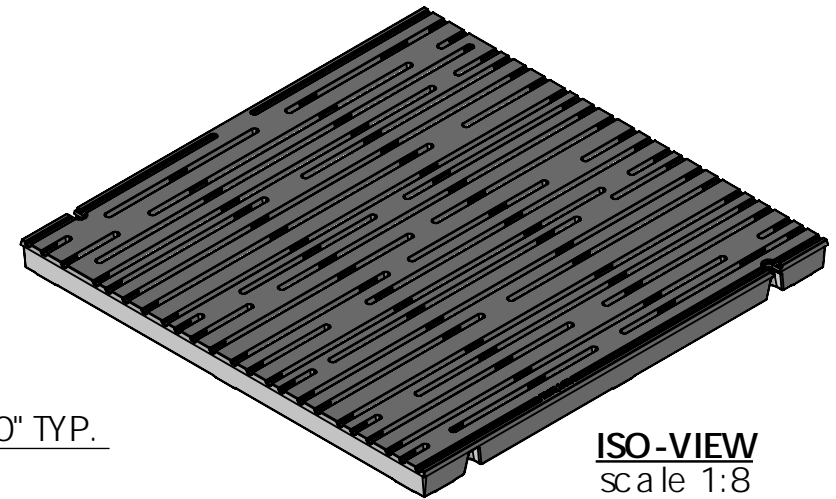
**TOP VIEW**  
scale 1:6



23.813" sq.

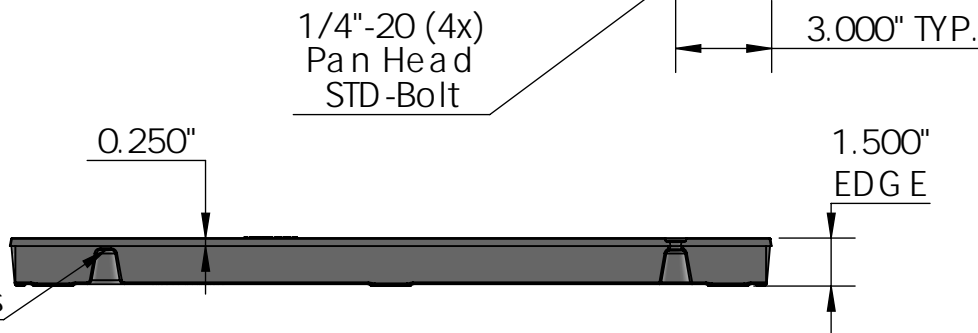


**CASTING-ID**  
scale 1:1



**ISO-VIEW**  
scale 1:8

**SIDE VIEW**  
scale 1:6



1/4"-20 (4x)  
Pan Head  
STD-Bolt

3.000" TYP.

1.500"  
EDGE

0.250"


2 Drill Points  
in Back  
Opp. Corners

**NOTES:**

1. Heelproof: No thru openings greater than 1/4".
2. Ships in pieces: 1
3. Pedestrian Load ONLY
4. Due to casting inconsistencies, all dimensions are nominal.

Made in USA © 2022 Iron Age Designs

**Rain 24" x 24" Catch Basin Grate - Heel Proof**

 <b>IRON AGE DESIGNS</b> Telephone 206.276.0925 www.ironagegrates.com	Material: Ductile Iron 65-45-12	Weight: 65 lbs.	Free Drain Area: 74.69 in/sq., or 14.73 %	By: MS Checked: MS Date: 11-17-25
	Finish: Raw	Edge: 1.500"	Flow Rate: 97.85 GPM, or .217 CuFt./sec.	© Registration: Pending Scale: NTS
	Fits: Iron Age Custom Frames SOLD SEPARATELY	Product ID: RNX24-24HP	Drawing Name: 01_RAI_I_24x24HP_CatchBasin	