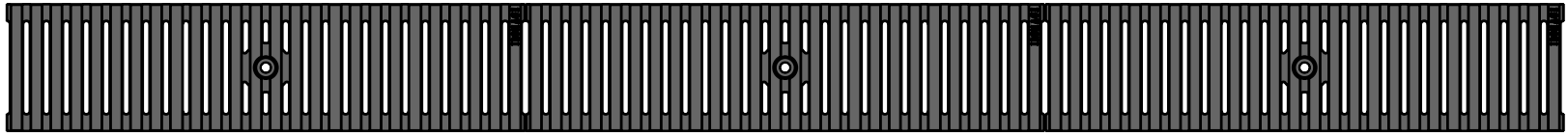
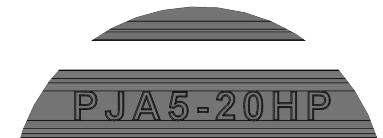
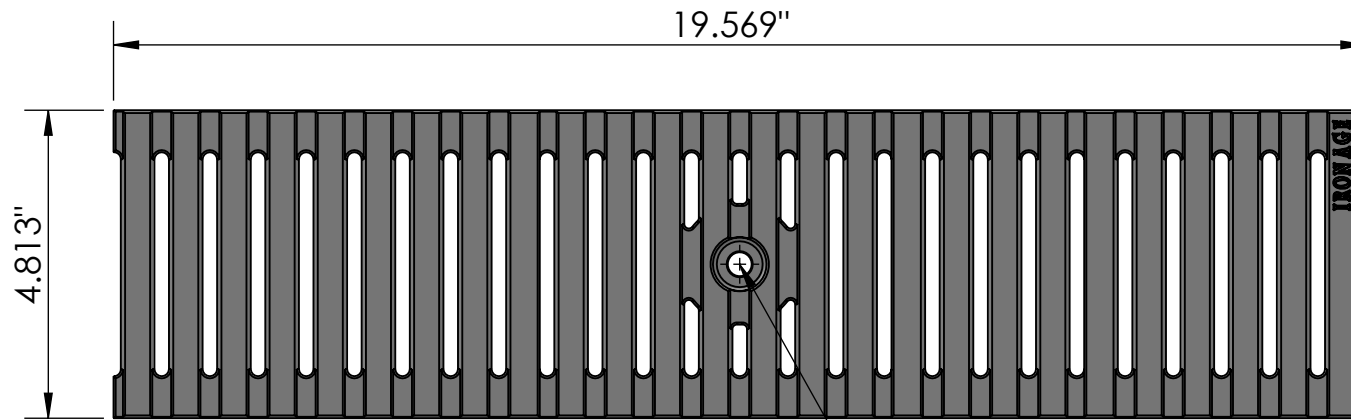


3 ARRAY
scale 1:7

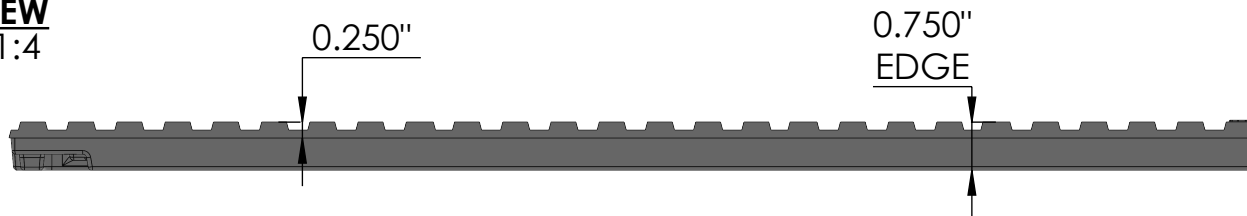


TOP VIEW
scale 1:4



CASTING-ID
scale 1:1.5

SIDE VIEW
scale 1:4




ISO-VIEW
scale 1:8

NOTES:

1. Heelproof: No thru openings greater than 1/4".
2. Ships in pieces: 1
3. Due to casting inconsistencies, all dimensions are nominal.

Made in USA ©2012 Iron Age Designs

Plain Regular Joe 5" x 20" Trench Grate - Heel Proof

 IRON AGE DESIGNS Telephone 206.276.0925 www.ironagegrates.com	Material: Cast Ductile 65-45-12	Weight: 10.43 lbs.	Free Drain Area: 19.43 in/sq., or 22.63 %	By: MS Checked: MS Date: 10-14-22
	Finish: Raw	Edge: 0.750"	Flow Rate: 25.45 GPM, or .056 CuFt./sec.	© Registration: Pending Scale: NTS
	Fits: ABT® PolyDrain®	Product ID: PJA5-20I20HP	Drawing Name: 03_PJOE_A_5x20HP_TrenchGrate	