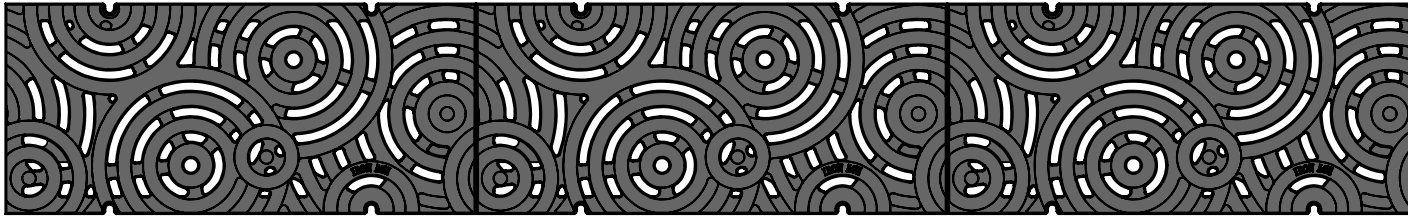
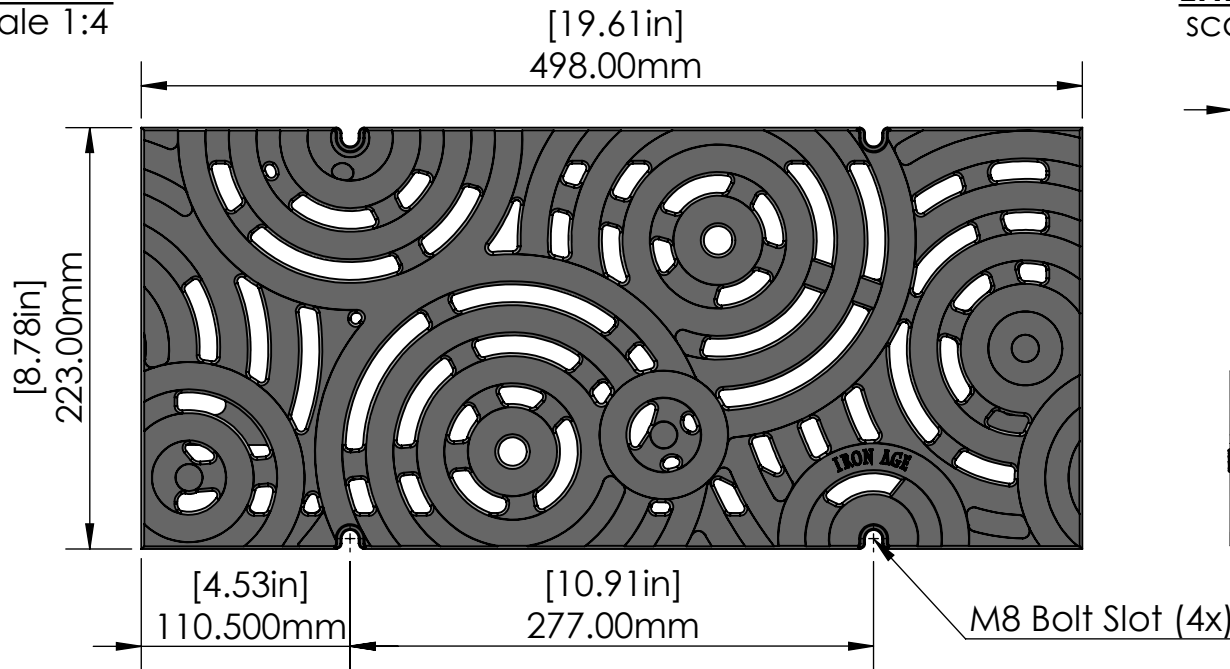


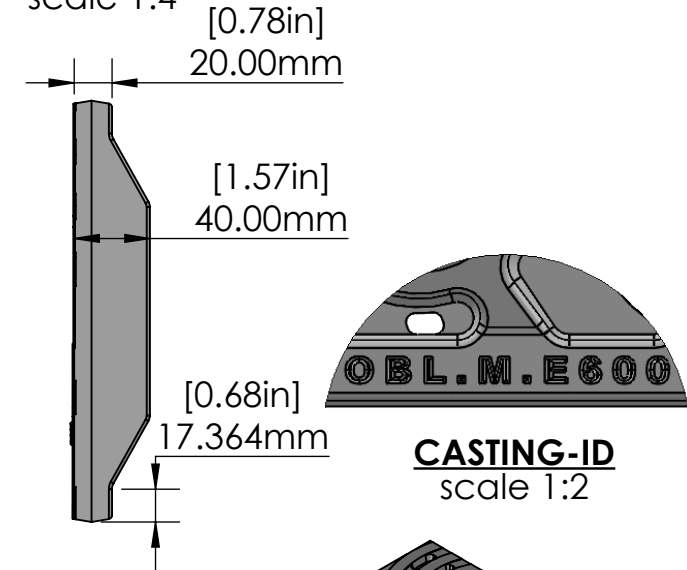
**3 ARRAY**  
scale 1:8



**TOP VIEW**  
scale 1:4



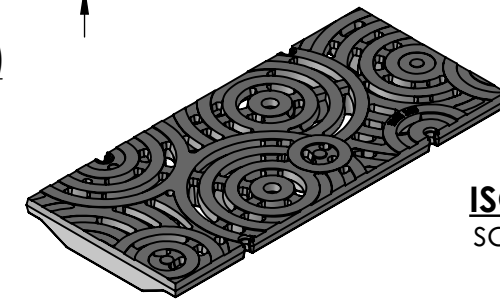
**END VIEW**  
scale 1:4



**SIDE VIEW**  
scale 1:4



Drill point (x4)  
to locate hole for  
ProFix™



**ISO-VIEW**  
scale 1:8

**NOTES:**

1. ADA Compliant: No thru openings greater than ½".
2. Ships in pieces: 1
3. Due to casting inconsistencies, all dimensions are nominal.

Made in USA ©2006 Iron Age Designs

**Oblio 9"x 20" Trench Grate**

<p><b>IRON AGE</b> DESIGNS</p> <p>Telephone 206.276.0925 www.ironagegrates.com</p>	Material: Ductile Iron 65-45-12	Weight: 28.08 lbs.	Free Drain Area: 27.97 in/sq., or 16.25 %	By: RJ	Checked: MS	Date: 4-21-23
	Finish: Raw	Edge: 20mm/ 0.79"	Flow Rate: 36.65 GPM, or .082 CuFt./sec.	© Registration: VA 1-814-273		Scale: NTS
	Fits: MEA® EN2000 By Other	Product ID: OM9-20122	Drawing Name: 01_OBL_MEA_9x20_TrenchGrate			