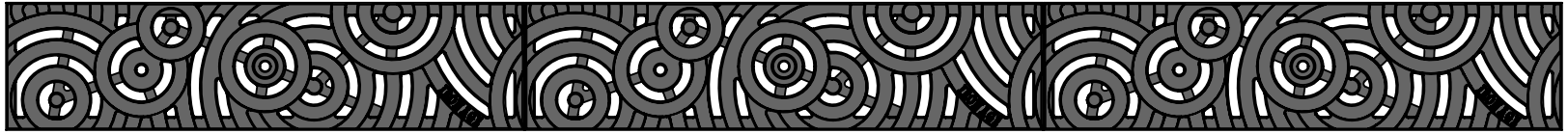
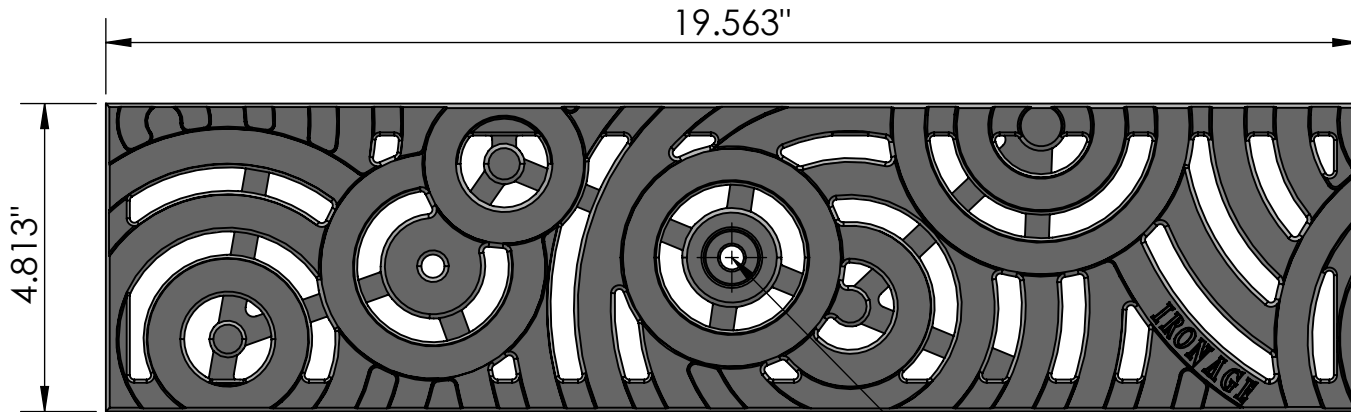


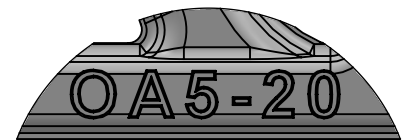
3 ARRAY
scale 1:7



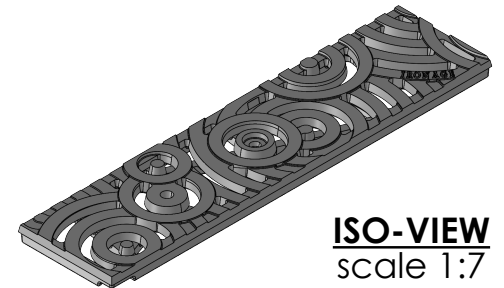
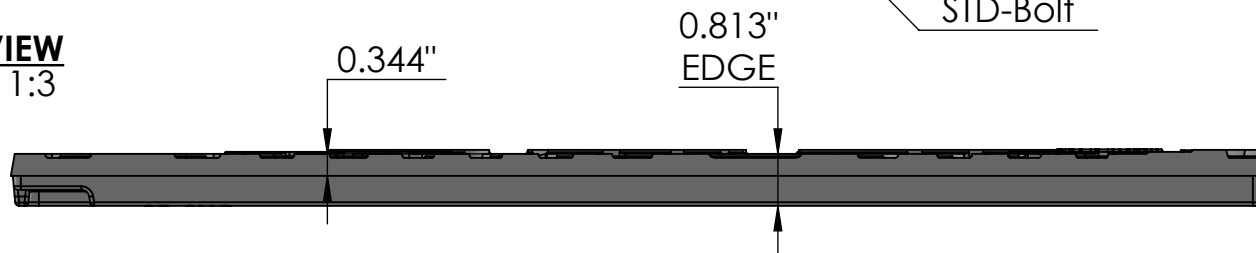
TOP VIEW
scale 1:3



CASTING-ID
scale 1:1



SIDE VIEW
scale 1:3




ISO-VIEW
scale 1:7

NOTES:

1. ADA Compliant: No thru openings greater than 1/2".
2. Ships in pieces: 1
3. Due to casting inconsistencies, all dimensions are nominal.

Made in USA ©2009 Iron Age Designs

Oblio 5" x 20" Trench Grate

| | | | | |
|--|---|---------------------------------|---|---|
|  IRON AGE DESIGNS Telephone 206.276.0925 www.ironagegrates.com | Material: Ductile Iron 65-45-12 | Weight: 12.02 lbs. | Free Drain Area: 18.10 in/sq., or 19.22 % | By: MS Checked: MS Date: 5-7-23 |
| | Finish: Raw | Edge: 0.813" | Flow Rate: 23.71 GPM, or .052 CuFt./sec. | © Registration: VA 2-007-106 Scale: NTS |
| | Fits: ABT® PolyDrain® ACO™ K100, K100S, KS100 MEA® 1000 Series | Product ID: OA5-20I21 | Drawing Name: 02_OBL_A_5x20_TrenchGrate_Iron | |