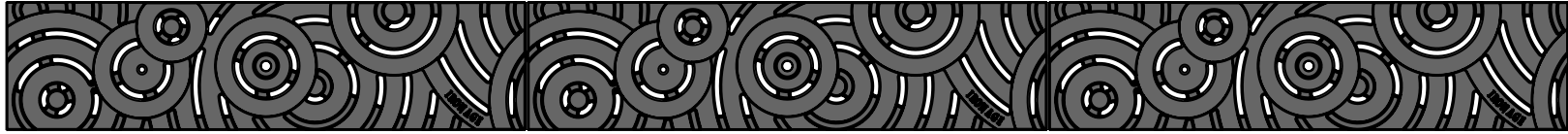
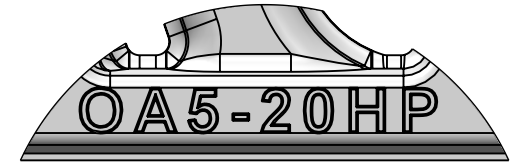
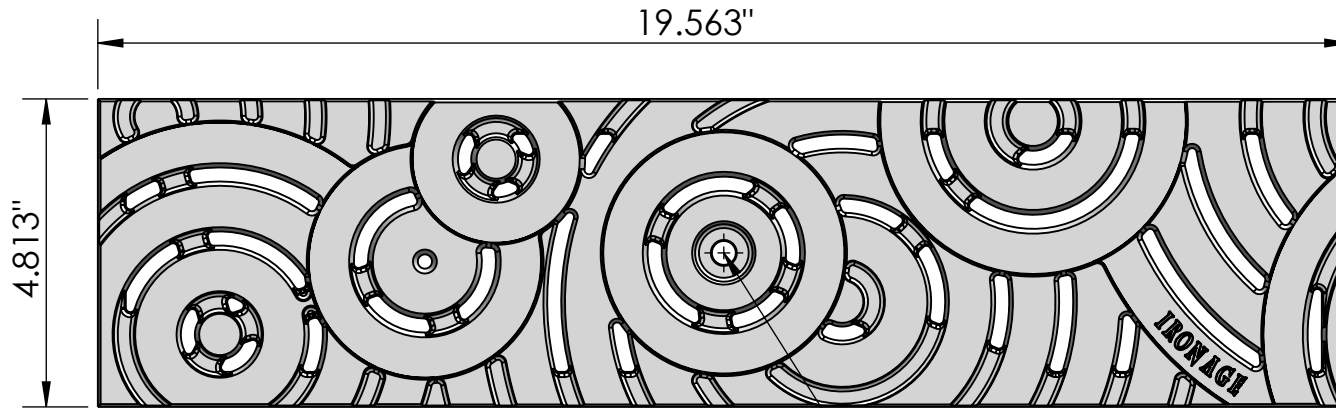


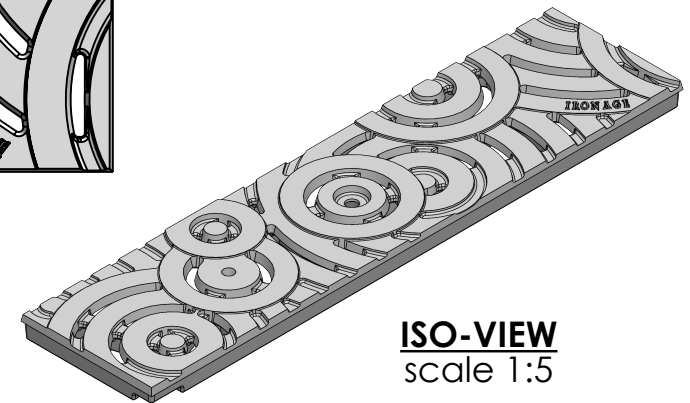
3 ARRAY
scale 1:7



TOP VIEW
scale 1:3

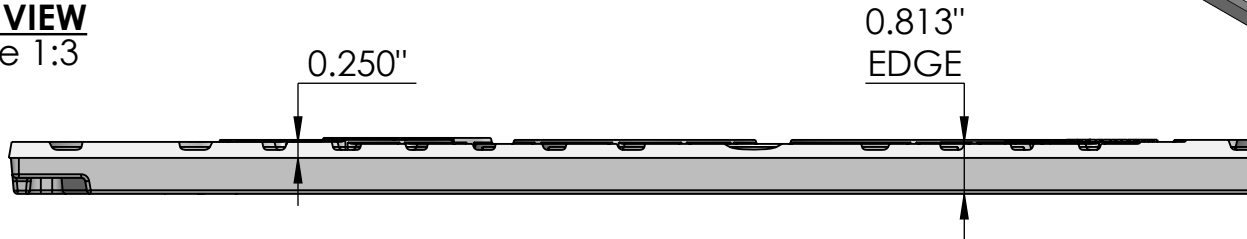


CASTING-ID
scale 1:1



ISO-VIEW
scale 1:5

SIDE VIEW
scale 1:3




NOTES:

1. Heelproof: No thru openings greater than ¼".
2. Ships in pieces: 1
3. Due to casting inconsistencies, all dimensions are nominal.

Made in USA ©2012 Iron Age Designs

Oblio 5" x 20" Trench Grate - Heel Proof

 IRON AGE DESIGNS Telephone 206.276.0925 www.ironagegrates.com	Material: Ductile Iron 65-45-12	Weight: 12.22lbs.	Free Drain Area: 9.11 in/sq., or 9.68 %	By: MS Checked: MS Date: 4-17-23
	Finish: Raw	Edge: 0.813"	Flow Rate: 11.94 GPM, or .026 CuFt./sec.	© Registration: VA 2-007-106 Scale: NTS
	Fits: ABT® PolyDrain® ACO™ K100, K100S, KS100 MEA® 1000 Series	Product ID: OA5-20I21HP	Drawing Name: 03_OBL_A_5x20HP_TrenchGrate	