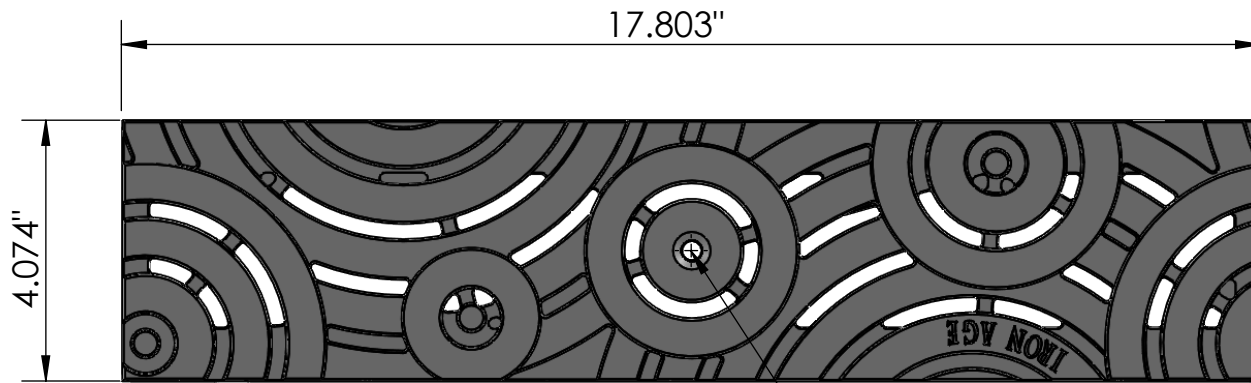


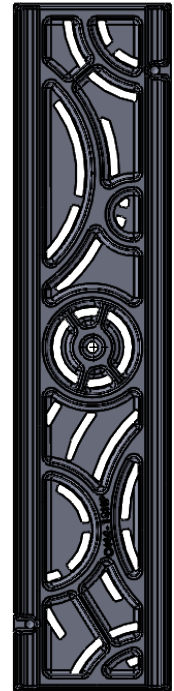
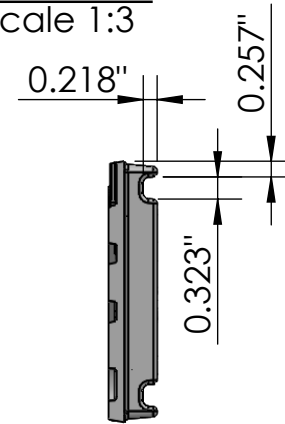
3 ARRAY
scale 1:7



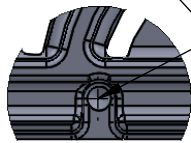
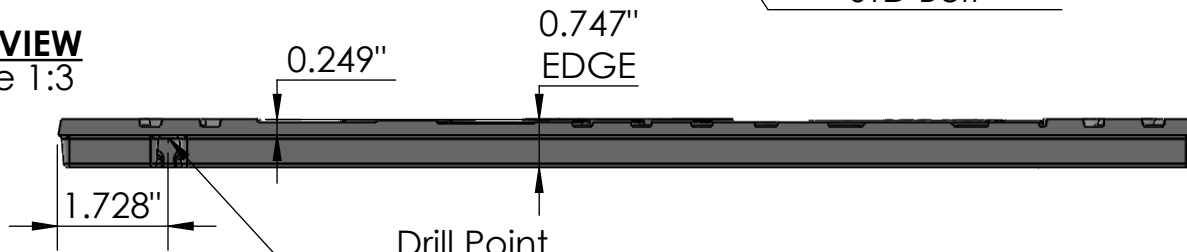
TOP VIEW
scale 1:3



EDGE VIEW
scale 1:3



SIDE VIEW
scale 1:3



Drill Point
for 1/4"-20
Bolt Down (x2)

CASTING-ID
scale 1:2




ISO-VIEW
scale 1:5

NOTES:

1. Heelproof: No thru openings greater than 1/4".
2. Ships in pieces: 1
3. Due to casting inconsistencies, all dimensions are nominal.

©2018 Iron Age Designs

Oblio 4" x 18" Trench Grate - Heel Proof

 IRON AGE DESIGNS Telephone 206.276.0925 www.ironagegrates.com	Material: Ductile Iron 65-45-12	Weight: 7.20 lbs.	Free Drain Area: 6.92 in/sq., or 9.45 %	By: RJ Checked: MS Date: 10-12-23
	Finish: Raw	Edge: 0.747"	Flow Rate: 12.38 GPM, or .027 CuFt./sec.	© Registration: VA 2-159-673 Scale: NTS
	Fits: NDS® Spee-D® Channel By Others	Product ID: ON4-18I02HP	Drawing Name: 01_OBL_NDS_4x18_HP_TrenchGrate_Iron_India	