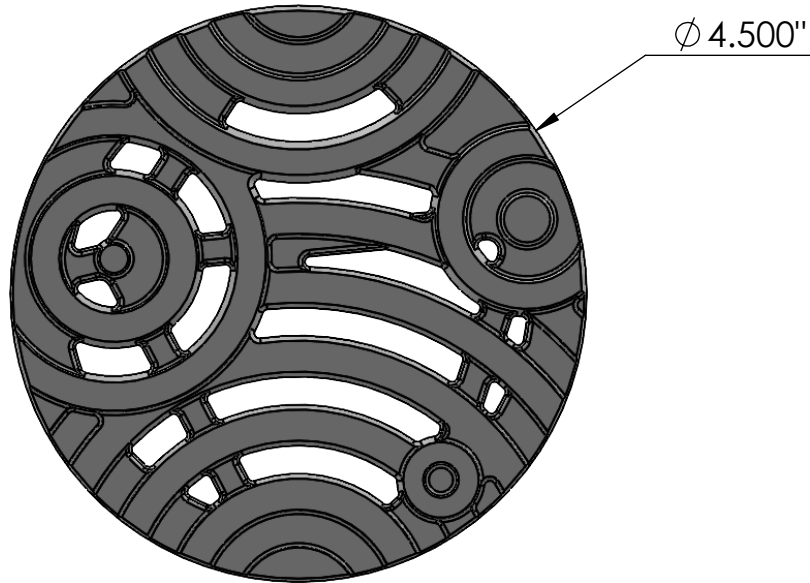


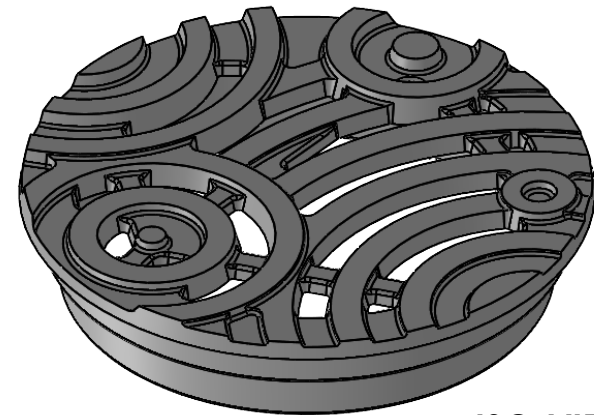
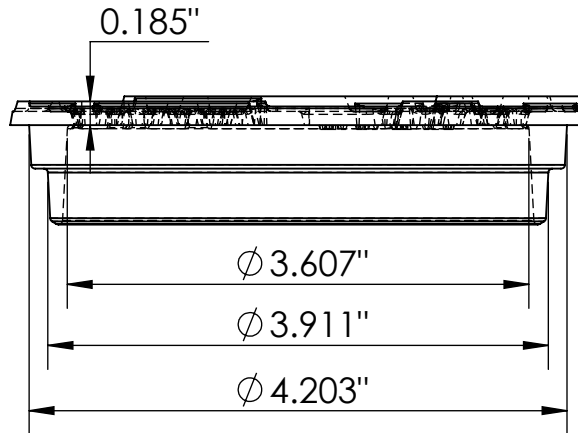
TOP VIEW
scale 1:1.5



CASTING-ID
scale 1:2.5



SIDE VIEW
scale 1:1.5




ISO-VIEW
scale 1:1.5

NOTES:

1. Heelproof: No thru openings greater than ¼".
2. Ships in pieces: 1
3. Due to casting inconsistencies, all dimensions are nominal.

Made in USA ©2011 Iron Age Designs

Oblio 4" Dia. Pipe Grate - Heel Proof

 IRON AGE DESIGNS Telephone 206.276.0925 www.ironagegrates.com	Material: Ductile Iron 65-45-12	Weight: 1.00 lbs.	Free Drain Area: 2.53 in/sq., or 15.92 %	By: MS Checked: MS Date: 3-19-24
	Finish: Raw	Edge: N/A	Flow Rate: 3.31 GPM, or .007 CuFt./sec.	© Registration: VA-1-964887 Scale: NTS
	Fits: PVC Sch. 40 Pipe: 3" O.D. Bell End, 4" I.D., 4" I.D. Bell End	Product ID: OX4Dial99PGHP	Drawing Name: 02_OBL_N_4Dia_PipeGrate	