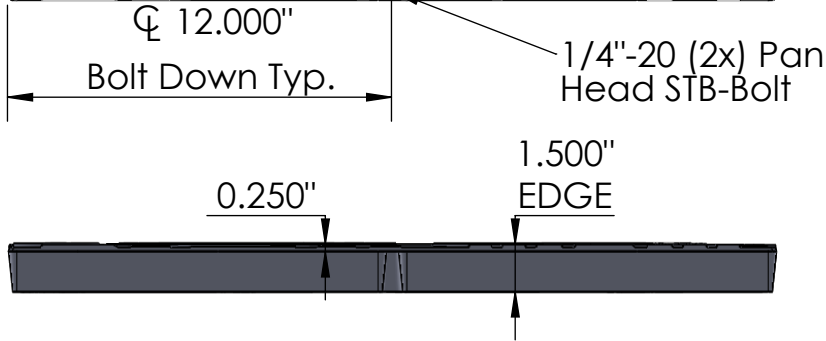


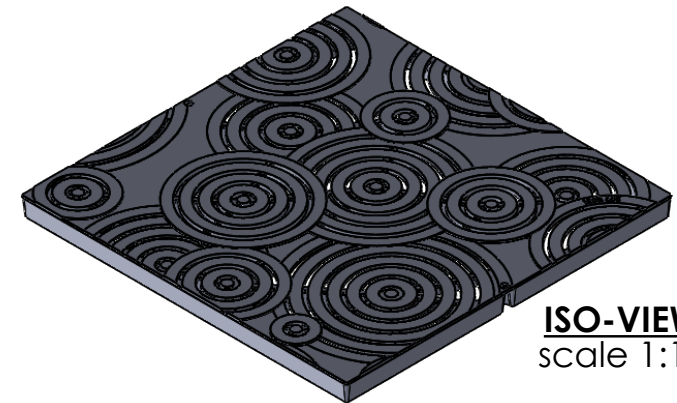
**TOP VIEW**  
scale 1:4



**SIDE VIEW**  
scale 1:4



**CASTING-ID**  
scale 1:2




**ISO-VIEW**  
scale 1:18

**NOTES:**

1. Heelproof: No thru openings greater than 1/4".
2. Ships in pieces: 1
3. Due to casting inconsistencies, all dimensions are nominal.

Made in USA ©2014 Iron Age Designs

**Oblio 24"x 24" Catch Basin Grate - Heel Proof**

 <b>IRON AGE DESIGNS</b> Telephone 206.276.0925 www.ironagegrates.com	<b>Material:</b> Ductile Iron 65-45-12	<b>Weight:</b> 55.14 lbs.	<b>Free Drain Area:</b> 84.95 in/sq., or 14.75 %	<b>By:</b> RJ <b>Checked:</b> MS <b>Date:</b> 9-28-23
	<b>Finish:</b> Raw	<b>Edge:</b> 1.500"	<b>Flow Rate:</b> 111.28 GPM, or .032 CuFt./sec.	<b>© Registration:</b> VA 1-964-895 <b>Scale:</b> NTS
	<b>Fits:</b> Iron Age CustomFrames SOLD SEPARATELY	<b>Product ID:</b> OX24-24I99HP	<b>Drawing Name:</b> 01_OBL_I_24x24HP_CatchBasin	