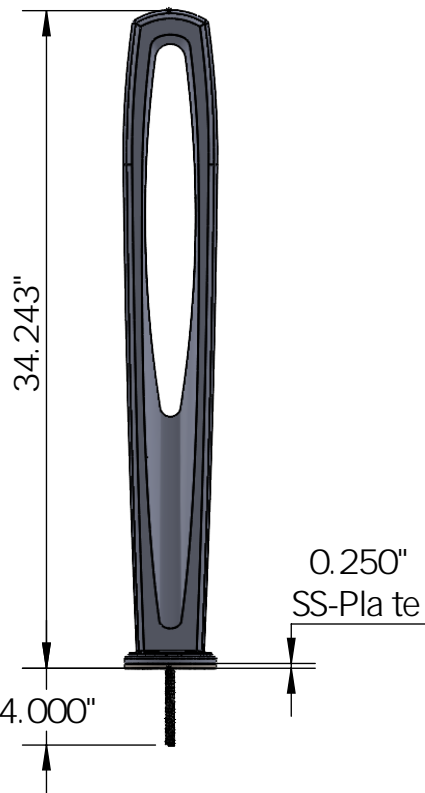
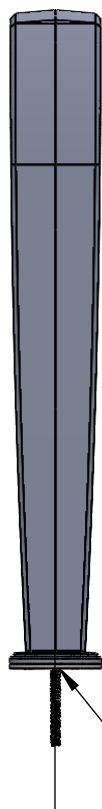


Front View
scale 1:10



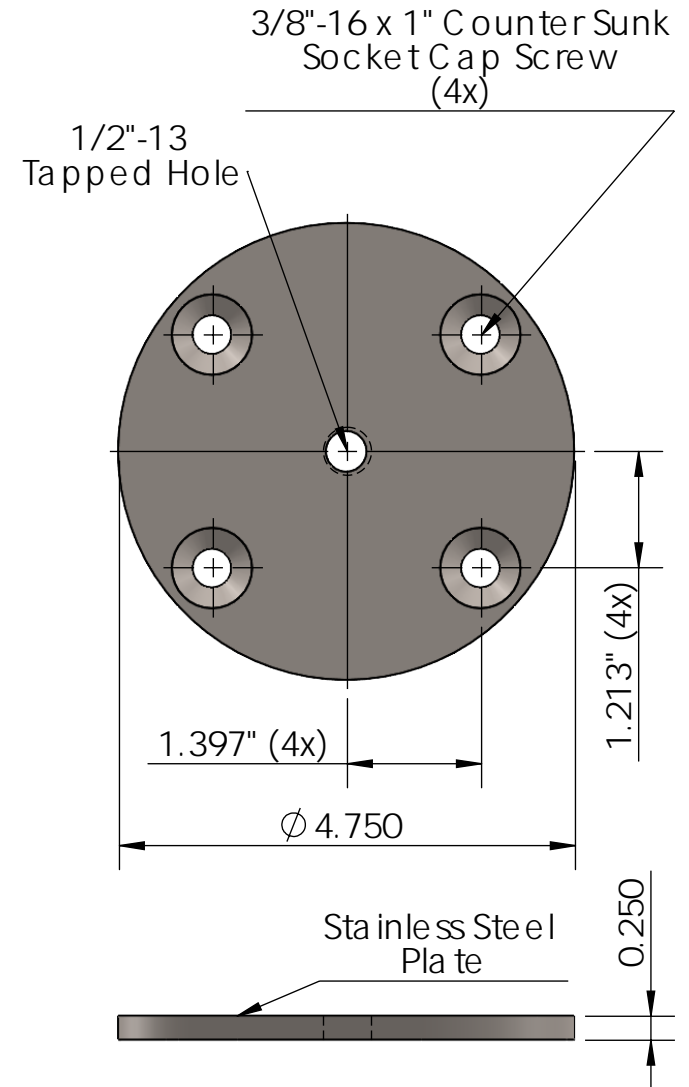
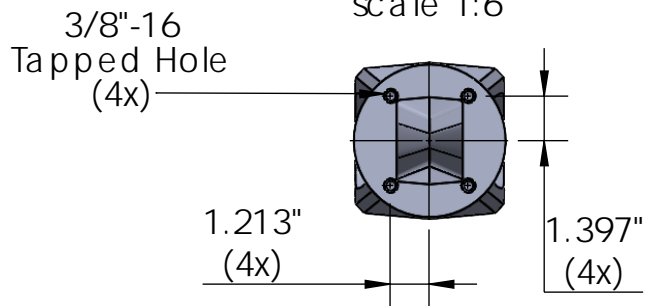
Side View
scale 1:10



ISO-View
scale 1:10



Bottom View
scale 1:6




Needle Bollard - Surface Mount

NOTES:

1. Due to casting inconsistencies, all dimensions are nominal.

Made in USA © 2019 Iron Age Designs

 IRON AGE DESIGNS Telephone 206.276.0925 www.ironagegrates.com	Material: Cast Aluminum 356T-6	Weight: 28 lbs.	Free Drain Area: N/A in/sq., or N/A %	By: MS	Checked: MS	Date: 10-15-25
	Finish: Powder Coat TBD	Edge: N/A	FlowRate: N/A GPM, or N/A CuFt./sec.	© Registration: VA 2-159-928		Scale: NTS
	Fits: Iron Age Surface Mount	Product ID: NEEBOASURF	Drawing Name: 01-NEE.B.34"_Alum_SurfaceMount			