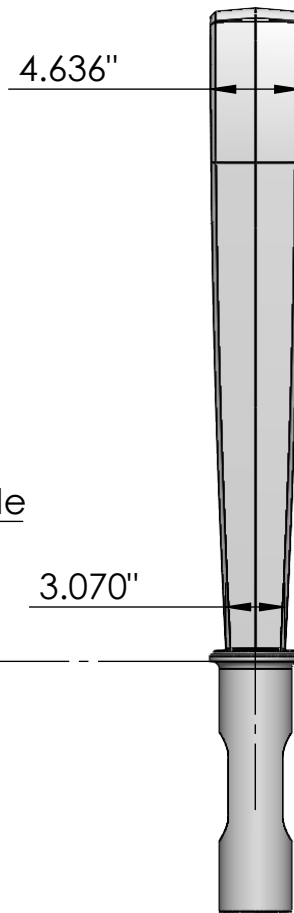
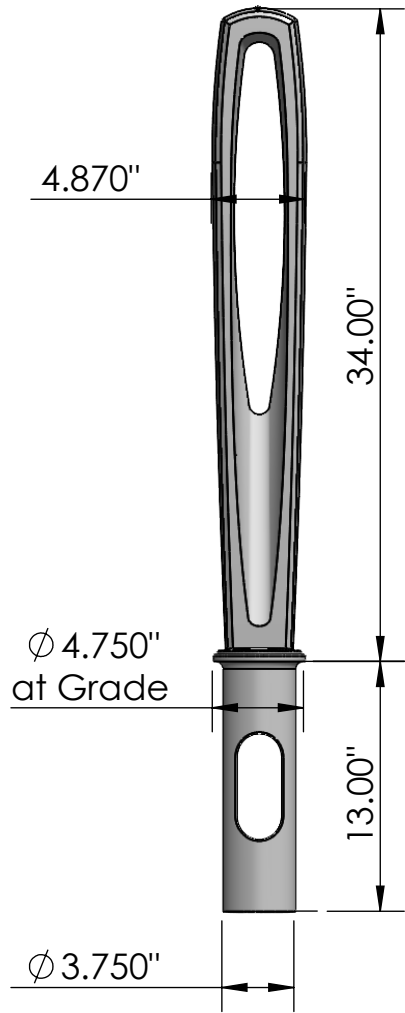


Front View
scale 1:10

Side View
scale 1:10

ISO-View
scale 1:10




Needle Bollard - Embed

NOTES:

1. Due to casting inconsistencies, all dimensions are nominal.

Made in USA ©2019 Iron Age Designs

| | | | | |
|--|---------------------------------------|-----------------------------|--|--|
|  IRON AGE DESIGNS Telephone 206.276.0925 www.ironagegrates.com | Material: Cast Aluminum 356T-6 | Weight: 40 lbs. | Free Drain Area: N/A in/sq., or N/A % | By: MS Checked: MS Date: 10/15-25 |
| | Finish: Powder Coat TBD | Edge: N/A | Flow Rate: N/A GPM, or N/A CuFt./sec. | © Registration: VA 2-159-928 Scale: NTS |
| | Fits: Embedment | Product ID: NEEBO34A | Drawing Name: 01-NEE.B.34"_Alum_Embed | |