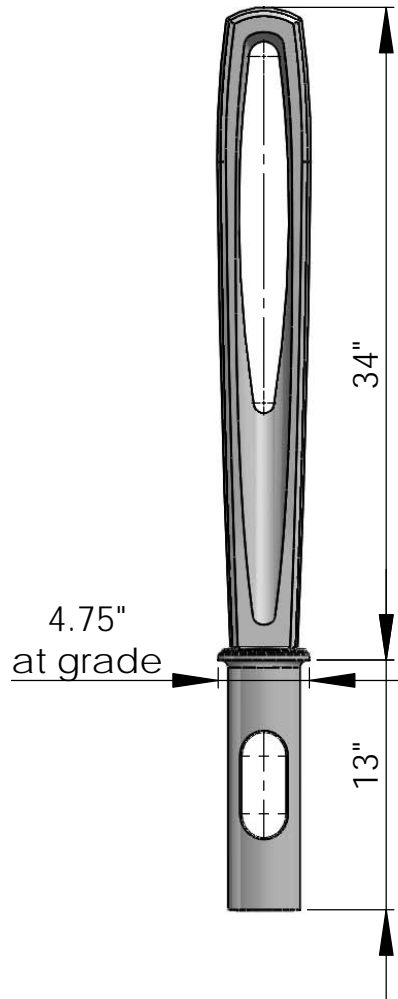
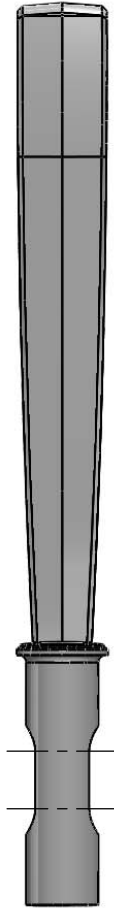


front
scale 1:10



side
scale 1:10



isometric
scale 1:10



 **IRON AGE** 2104 SW 152nd st #4 TEL 206.276.0925
DESIGNS Burién, WA 98166 FAX 206.257.0318
www.ironagedesigns.com

Needle 34" Bollard

JOB NO.

Drawn by: CD

DWG. NO.

NEE.B.34

Date: 2/15/12

Scale: NTS

NOTES:

1. Material: cast ductile iron or aluminum
2. Finish options
3. Weight approx. 98 lbs iron, 36 lbs aluminum
4. Concept: actual product may vary
5. Due to casting inconsistencies all dimensions are nominal

© 2012 Iron Age Designs