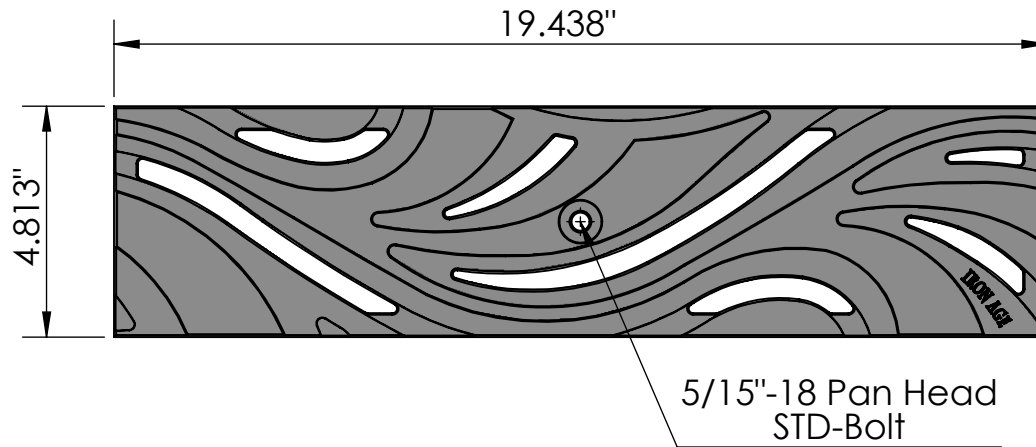


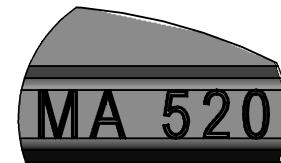
**3 ARRAY**  
scale 1:7



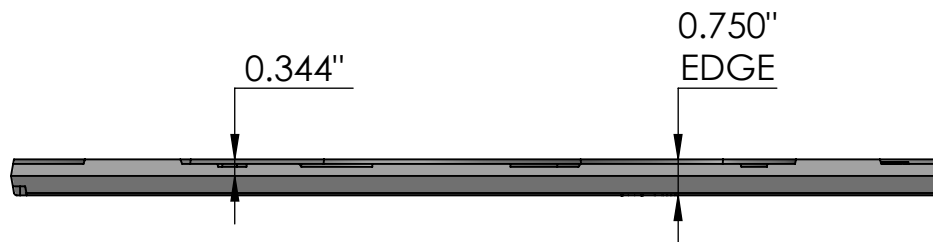
**TOP VIEW**  
scale 1:4



**CASTING-ID**  
scale 1:1



**SIDE VIEW**  
scale 1:4




**ISO-VIEW**  
scale 1:5

**NOTES:**

1. ADA Compliant: No thru openings greater than 1/2".
2. Ships in pieces: 1
3. Due to casting inconsistencies, all dimensions are nominal.

Made in USA ©2012 Iron Age Designs

**Minnione 5" x 20" Trench Grate**

 <b>IRON AGE DESIGNS</b> Telephone 206.276.0925 www.ironagegrates.com	<b>Material:</b> Ductile Iron 65-45-12	<b>Weight:</b> 8.62 lbs.	<b>Free Drain Area:</b> 11.20 in/sq., or 12.69 %	<b>By:</b> MS <b>Checked:</b> MS <b>Date:</b> 11-17-21
	<b>Finish:</b> Raw	<b>Edge:</b> 0.750"	<b>Flow Rate:</b> 14.68 GPM, or .032 CuFt./sec.	<b>© Registration:</b> VA 1-970-733 <b>Scale:</b> NTS
	<b>Fits:</b> ABT® Polydrain® ACO™ K100/K100S/KS100 MEA® 1000 Series	<b>Product ID:</b> MA5-20B21	<b>Drawing Name:</b> 01_MIN_A_5x20_TrenchGrate_Iron	