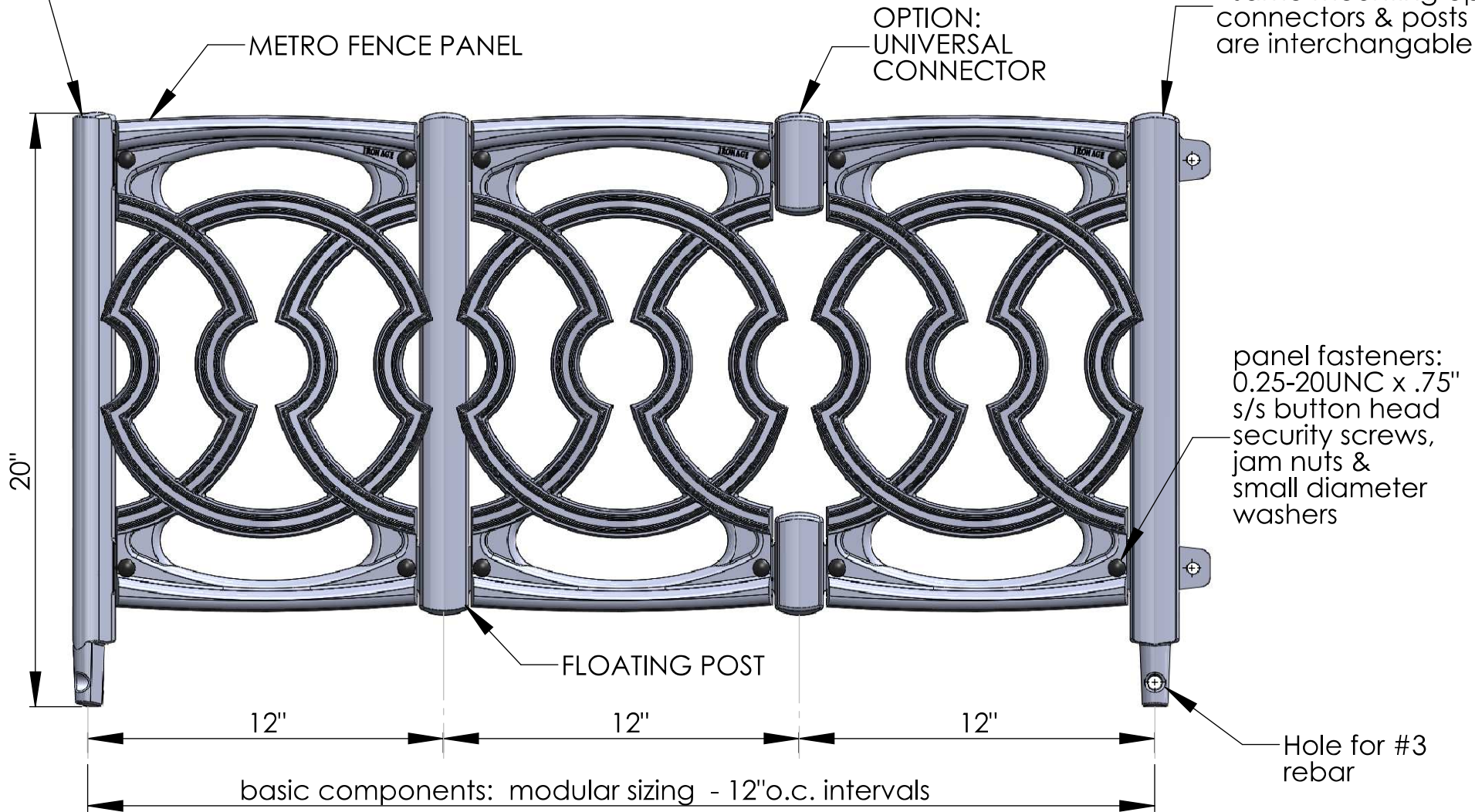


UNIVERSAL CORNER POST - mounting options:

- 1) tapered base fits snugly into standard 1" pipe (recommend: bed in silicone) optional set screw
- 2) feet available; for spike or bolt down
- 3) hole can accommodate #3 rebar to directly cast in concrete

UNIVERSAL POST:
- same mounting ops, connectors & posts are interchangeable



IRON AGE DESIGNS 2104 SW 152nd St #4 TEL 206.276.0925
Burién, WA 98166 FAX 206.257.0318
www.ironagedesigns.com

Metro Planter Fence

DWG. NO. MTO.P-Fence
SHEET NO. 0-BASIC COMPONENTS

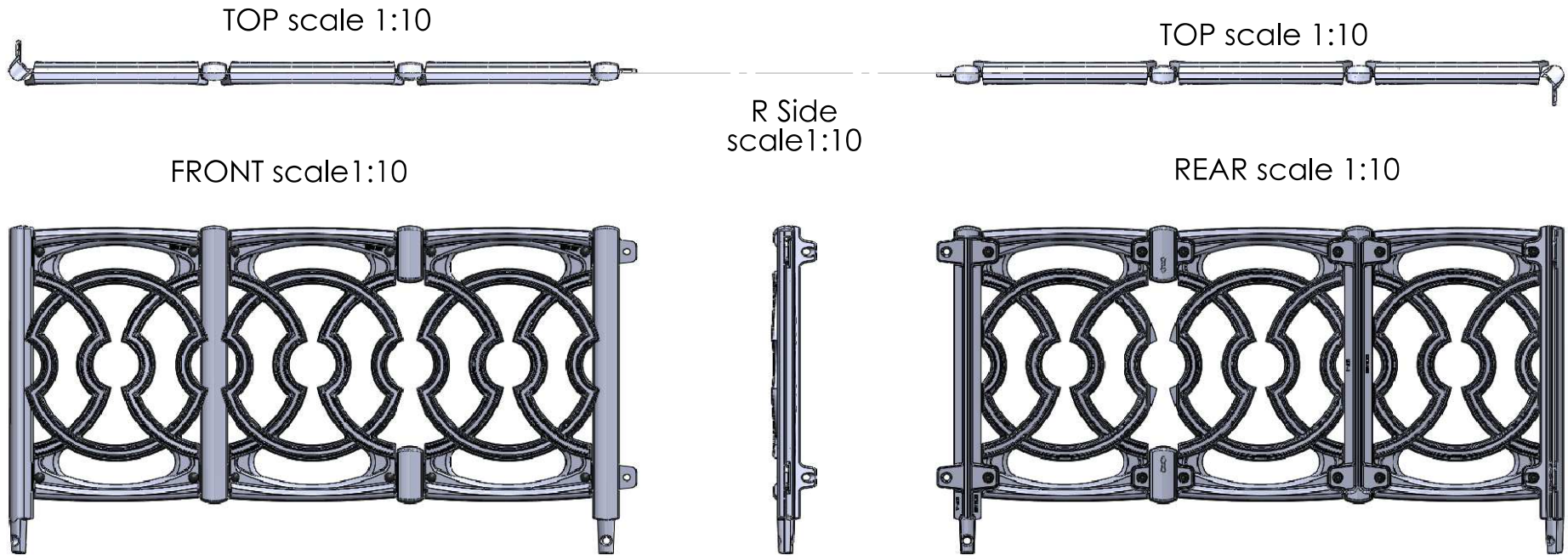
Drawn by: CD
Date: 03/15/12
Scale: NTS

NOTES:

1. Material: cast ductile iron
2. Finish: Natural or powder coat paint
3. Due to casting inconsistencies all dimensions are nominal

© 2012 Iron Age Designs

Registration Number:
VA 1-964-346



FRONT EXPLODED scale 1:10

UNIVERSAL CORNER POST

METRO FENCE PANEL

UNIVERSAL POST
 recommend: span no more than 3' between full height posts or corner posts

FOOT

FLOATING POST

UNIVERSAL CONNECTOR

ISOMETRIC scale 1:15

IRON AGE DESIGNS 2104 SW 152nd St #4 TEL 206.276.0925
 Burien, WA 98166 FAX 206.257.0318
 www.ironagedesigns.com

Metro Planter Fence

DWG. NO. MTO.P-Fence
 SHEET NO. 1-VIEWS

Drawn by: CD
 Date: 03/15/12
 Scale: NTS

NOTES:

1. Material: cast ductile iron
2. Finish: Natural or powder coat paint
3. Due to casting inconsistencies all dimensions are nominal

© 2012 Iron Age Designs Registration Number: VA 1-964-346