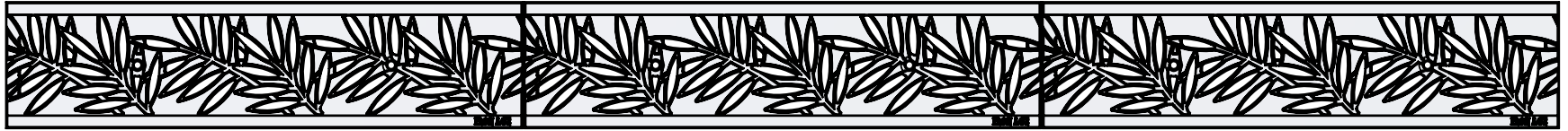
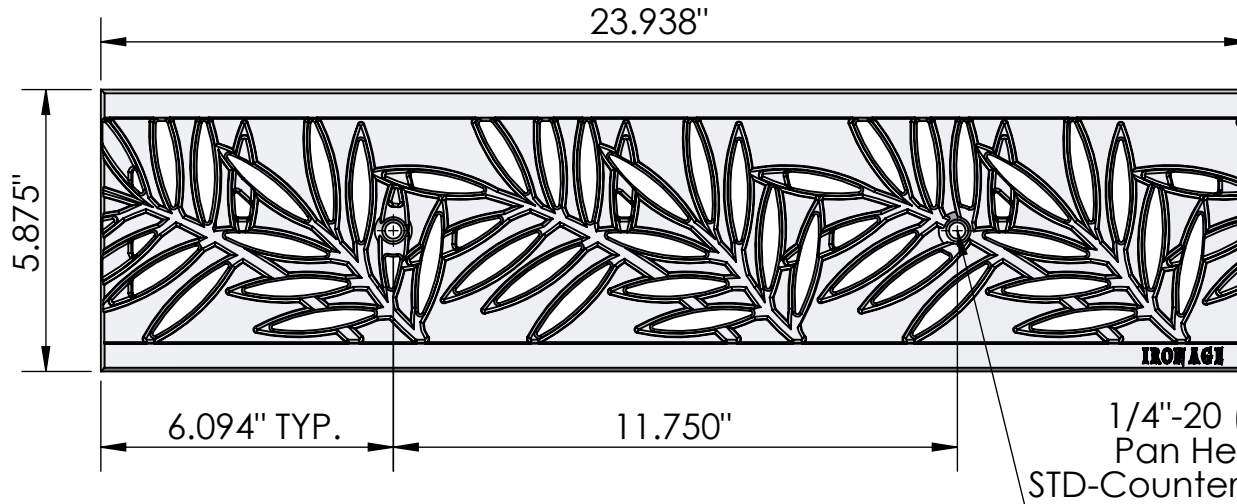


**3 ARRAY**  
scale 1:8



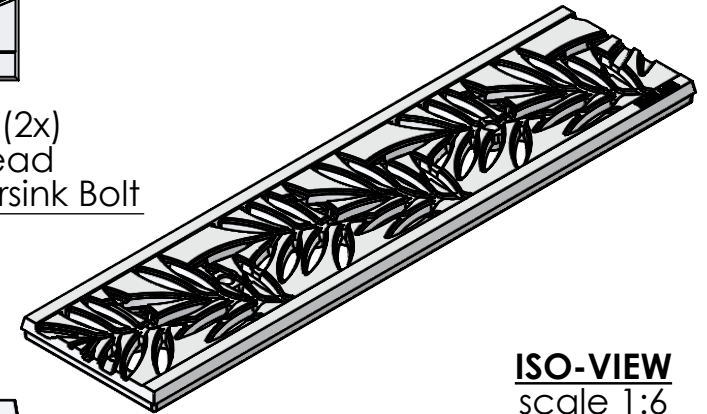
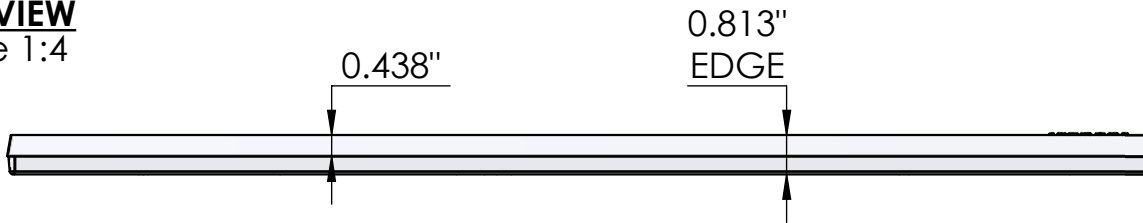
**TOP VIEW**  
scale 1:4



**CASTING-ID**  
scale 1:2



**SIDE VIEW**  
scale 1:4




**ISO-VIEW**  
scale 1:6

**NOTES:**

1. ADA Compliant: No thru openings greater than 1/2".
2. Ships in pieces: 1
3. Due to casting inconsistencies, all dimensions are nominal.

Made in USA ©2006 Iron Age Designs

**Locust 6" x 24" Trench Grate**

 <b>IRON AGE DESIGNS</b> Telephone 206.276.0925 www.ironagegrates.com	<b>Material:</b> Ductile Iron 65-45-12	<b>Weight:</b> 16.00 lbs.	<b>Free Drain Area:</b> 24.75 in/sq., or 17.60 %	<b>By:</b> MS <b>Checked:</b> MS <b>Date:</b> 4-17-26
	<b>Finish:</b> Raw	<b>Edge:</b> 0.8125"	<b>Flow Rate:</b> 32.43 GPM, or .072 CuFt./sec.	<b>© Registration:</b> VA 2-007-100 <b>Scale:</b> NTS
	<b>Fits:</b> NDS® NDS® Dura Slope®	<b>Product ID:</b> LN6-24I03	<b>Drawing Name:</b> 07_LOC_N_6x24_TrenchGrate_Iron	