

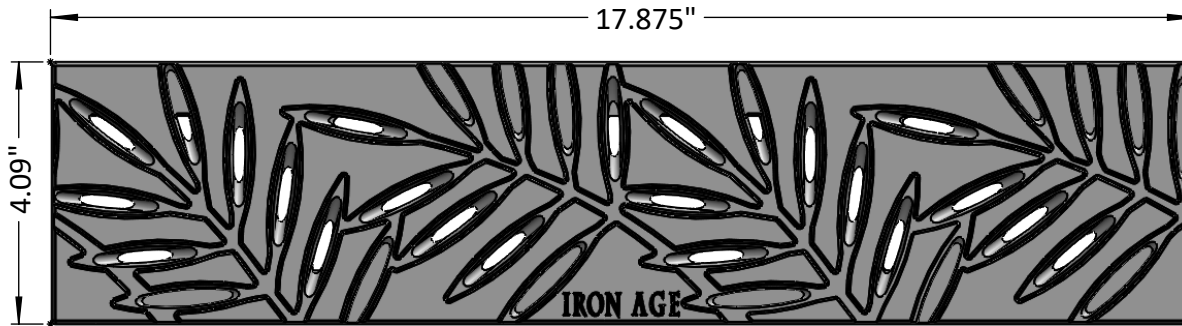
ARRAY (3X)

scale 1:7



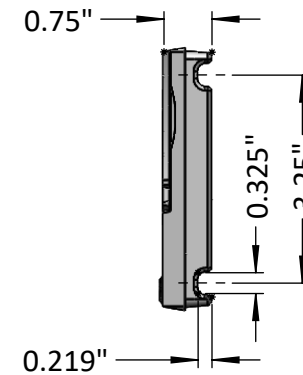
TOP

scale 1:3



END

scale 1:3



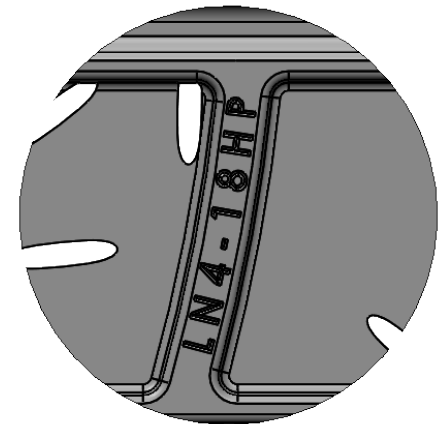
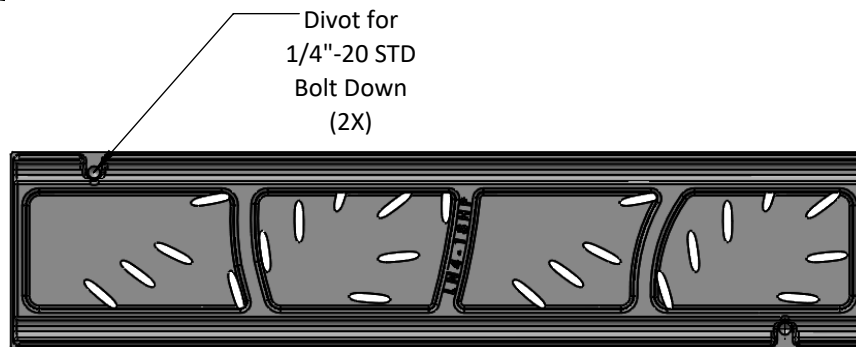
EDGE

scale 1:3



Bottom

scale 1:4



NOTES:

1. Heel Proof: No thru openings greater than: 1/4"
2. ships in 1 piece
3. Due to casting inconsistencies all dimensions are nominal

Locust 4"x18" Heel Proof Trench Grate

Made in the USA

© 2018 Iron Age Designs



Material: Cast Ductile Iron
 Standard Raw Finish:
 Fits: NDS® Spee-D® Channel

Weight: 7.50 lbs.
 Edge Thickness: 0.75"
 Product ID: LN4-18I02HP

Free Area 3.06"sq (approx): (4.18%)
 Gallon/ Min sq area x FDA (approx): x1.31= 5.48 GPM
 Drawing Name: 02_LOC.N.4x18_HP

By: CD checked by MS
 Date: 11/28/18
 Scale: 1:3
 © Registration:
 Design Patent: US D563,528S