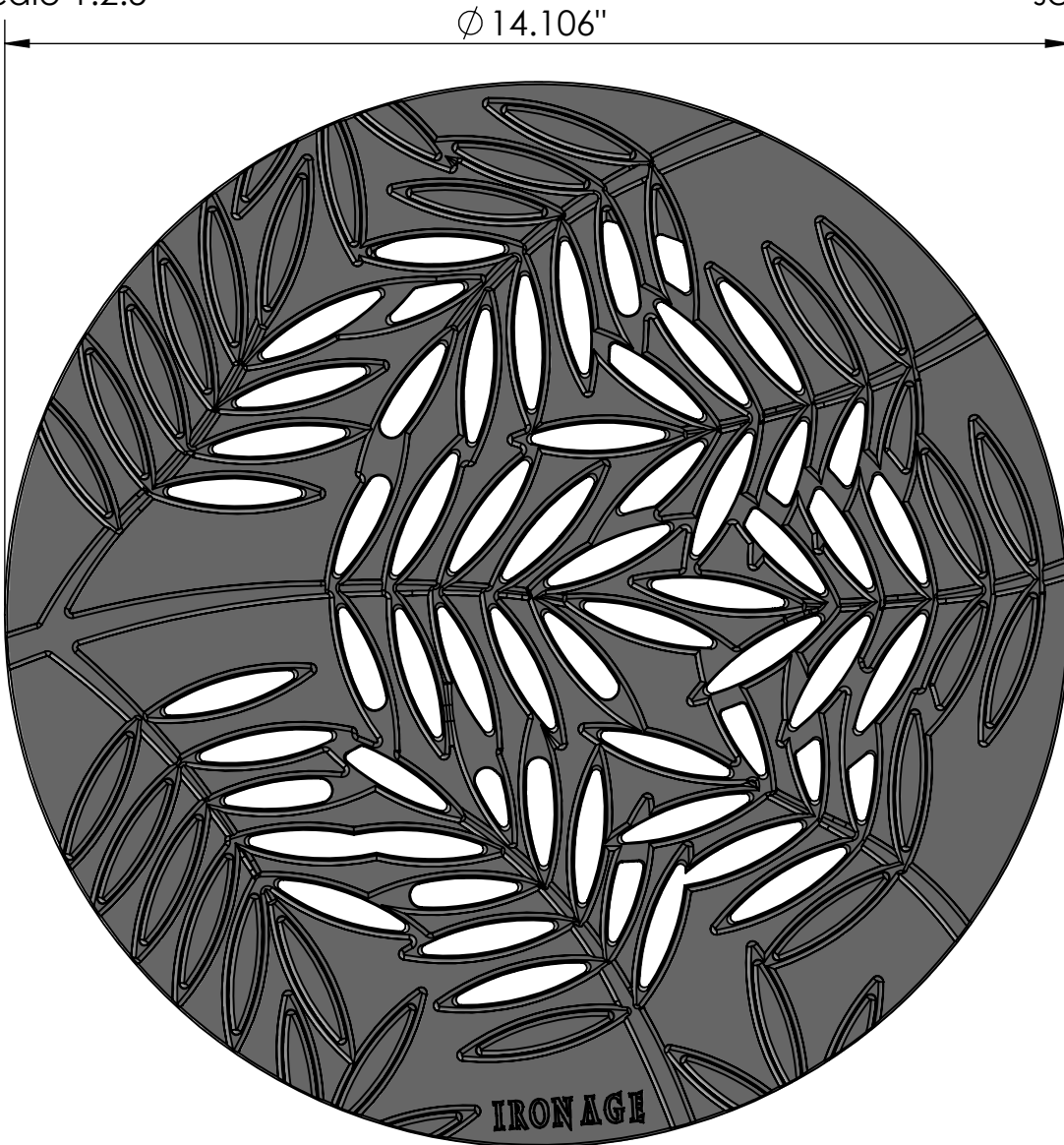
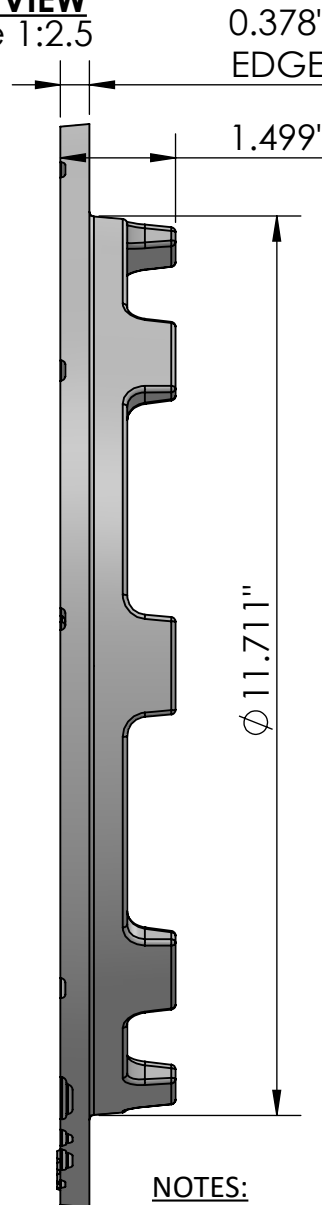


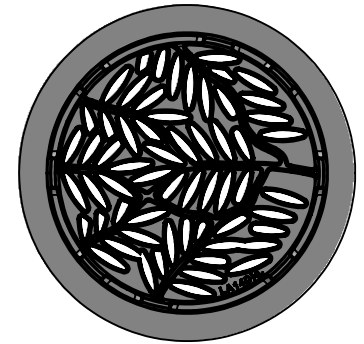
TOP VIEW
scale 1:2.5



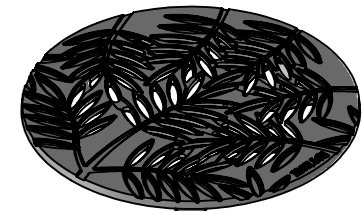
SIDE VIEW
scale 1:2.5



BACK VIEW
scale 1:8



CASTING-ID
scale 1:2




ISO-VIEW
scale 1:8

NOTES:

1. ADA Compliant: No thru openings greater than ½".
2. Ships in pieces: 1
3. Due to casting inconsistencies, all dimensions are nominal.

Made in USA ©2021 Iron Age Designs

Locust 14" Dia. Catch Basin Grate

 IRON AGE DESIGNS Telephone 206.276.0925 www.ironagegrates.com	Material: Cast Iron A48	Weight: 13.36 lbs.	Free Drain Area: 26.09 in/sq., or 16.69 %	By: MS Checked: MS Date: 5-27-21
	Finish: Raw	Edge: 0.375"	Flow Rate: 34.18 GPM, or .076 CuFt./sec.	© Registration: Pending Scale: NTS
	Fits: ADS / Nyloplast 12" Pipe Schedule 40	Product ID: LA14dial73	Drawing Name: 01_LOC_A_14Dia._CatchBasinGrate_Iron	