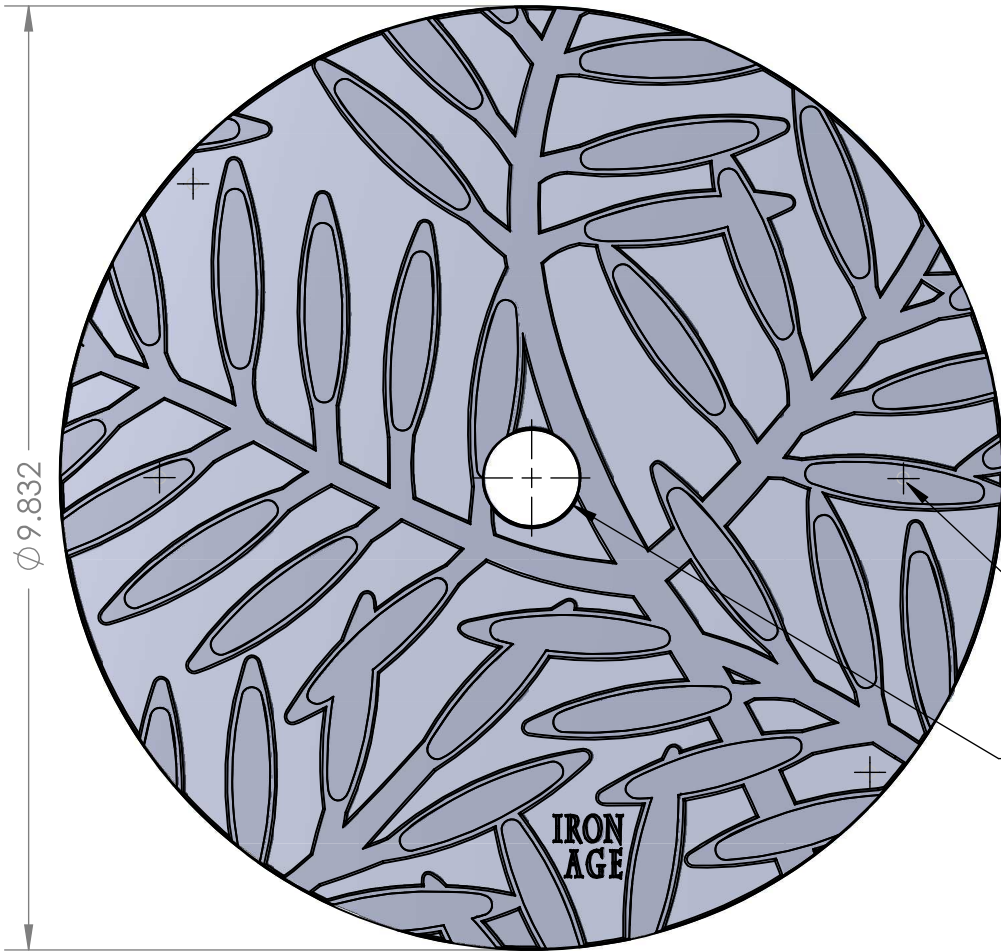
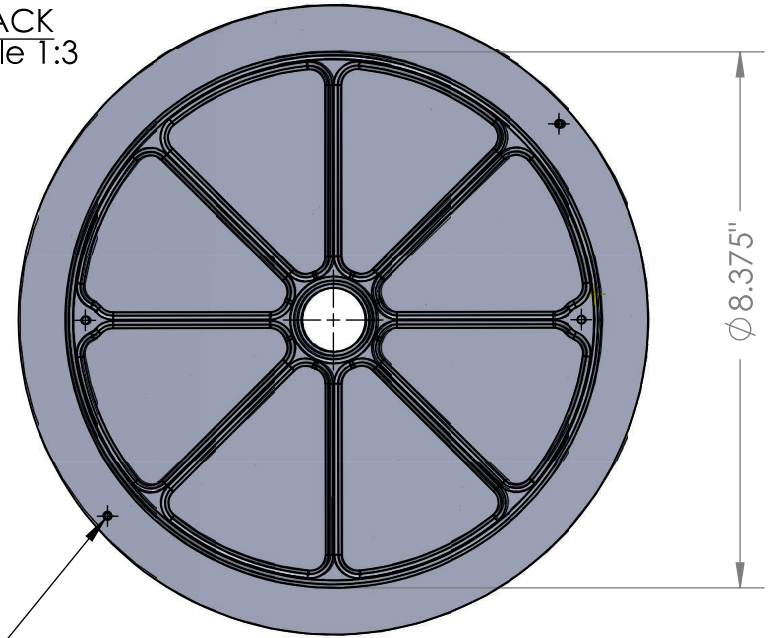


TOP  
scale 1:2

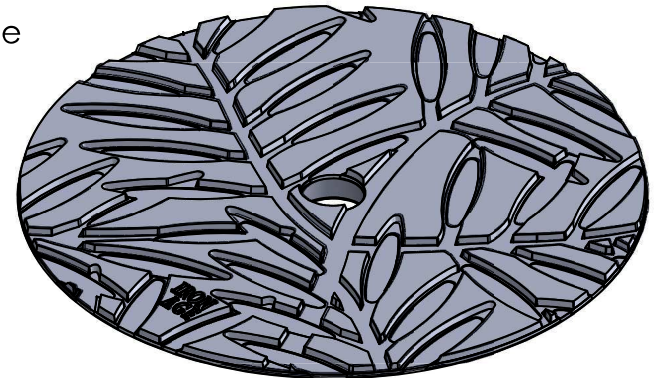


BACK  
scale 1:3

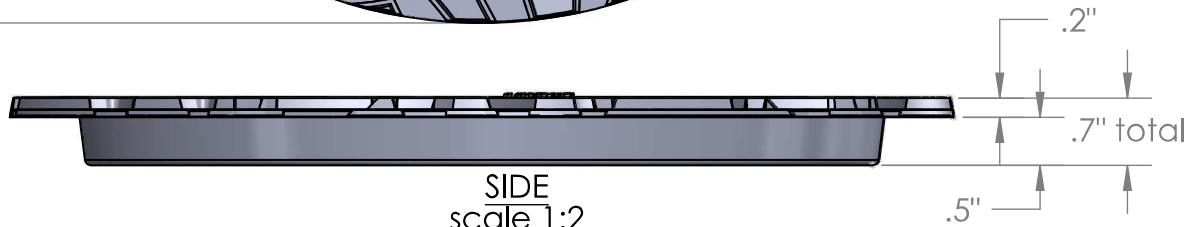


(4X) drill point - on rear - to locate bold down holes

1"  $\phi$  pick hole




ISOMETRIC  
scale 1:3



SIDE  
scale 1:2

NOTES:

1. Material: cast bronze
2. Finish: patina
3. Replaces skimmer lid manufactured by:  
Hayward® Skim-Master™ SP10712 & SP10712S  
Pentair®/STA-RITE® U-3 Skimmers 08650-0159 & -0169
4. Due to casting inconsistencies all dimensions are nominal

 **IRON AGE** 2104 SW 152nd St. #4 TEL 206.276.0925  
**DESIGNS** Burién, WA 98166 FAX 206.257.0318  
 www.ironagedesigns.com

Locust 10" Dia. Skimmer Lid

Drawn by: JH

Date: 10/11/12

Scale: NTS

DWG. NO. LOC.SKIM.10" dia

© 2012 Iron Age Designs

Registration Number VA 1-964-894