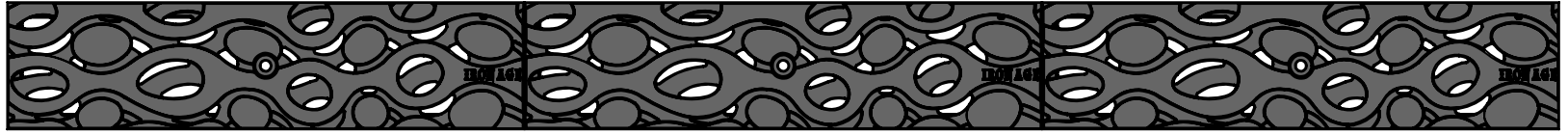
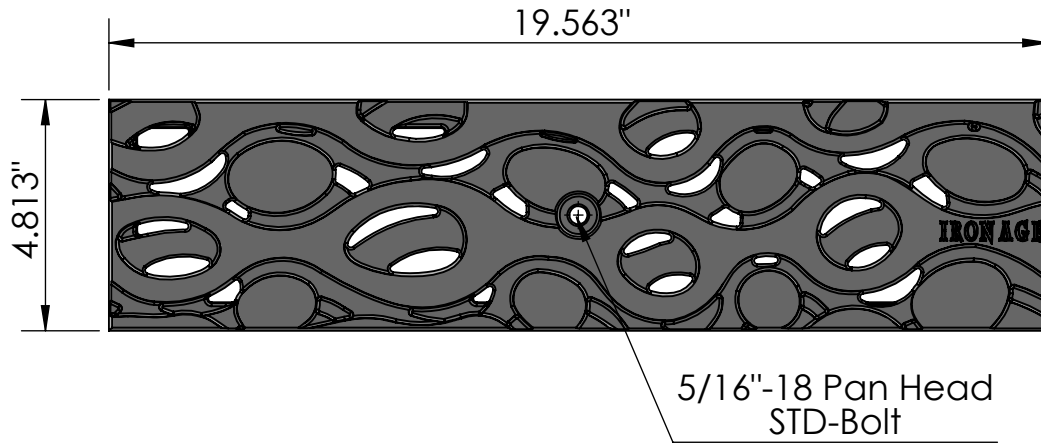


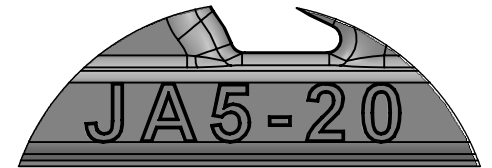
3 ARRAY
scale 1:7



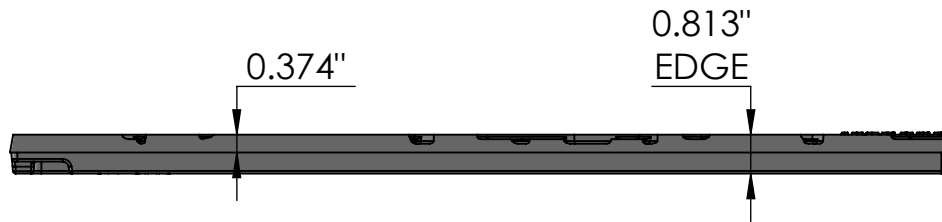
TOP VIEW
scale 1:4



CASTING-ID
scale 1:1



SIDE VIEW
scale 1:4




ISO-VIEW
scale 1:5

NOTES:

1. ADA Compliant: No thru openings greater than 1/2".
2. Ships in pieces: 1
3. Due to casting inconsistencies, all dimensions are nominal.

Made in USA ©2009 Iron Age Designs

Janis 5" x 20" Trench Grate

 IRON AGE DESIGNS Telephone 206.276.0925 www.ironagegrates.com	Material: Ductile Iron 65-45-12	Weight: 13.00 lbs.	Free Drain Area: 7.08 in/sq., or 7.53 %	By: MS Checked: MS Date: 9-6-23
	Finish: Raw	Edge: 0.813"	Flow Rate: 9.28 GPM, or .020 CuFt./sec.	© Registration: VA 2-007-078 Scale: NTS
	Fits: ABT® Polydrain® ACO™ K100/K100S/KS100 MEA® 1000 Series	Product ID: JA5-20I21	Drawing Name: 02_JAN_A_5x20_TrenchGrate	