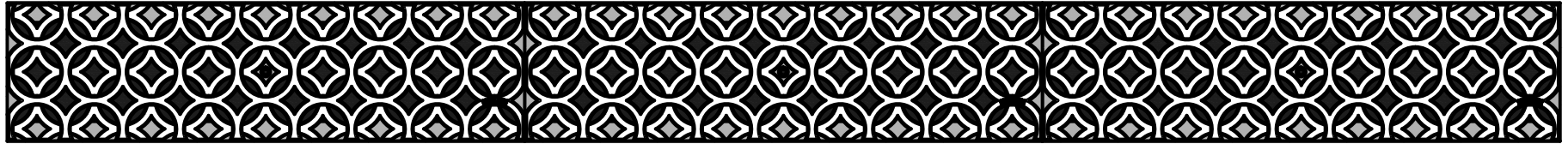
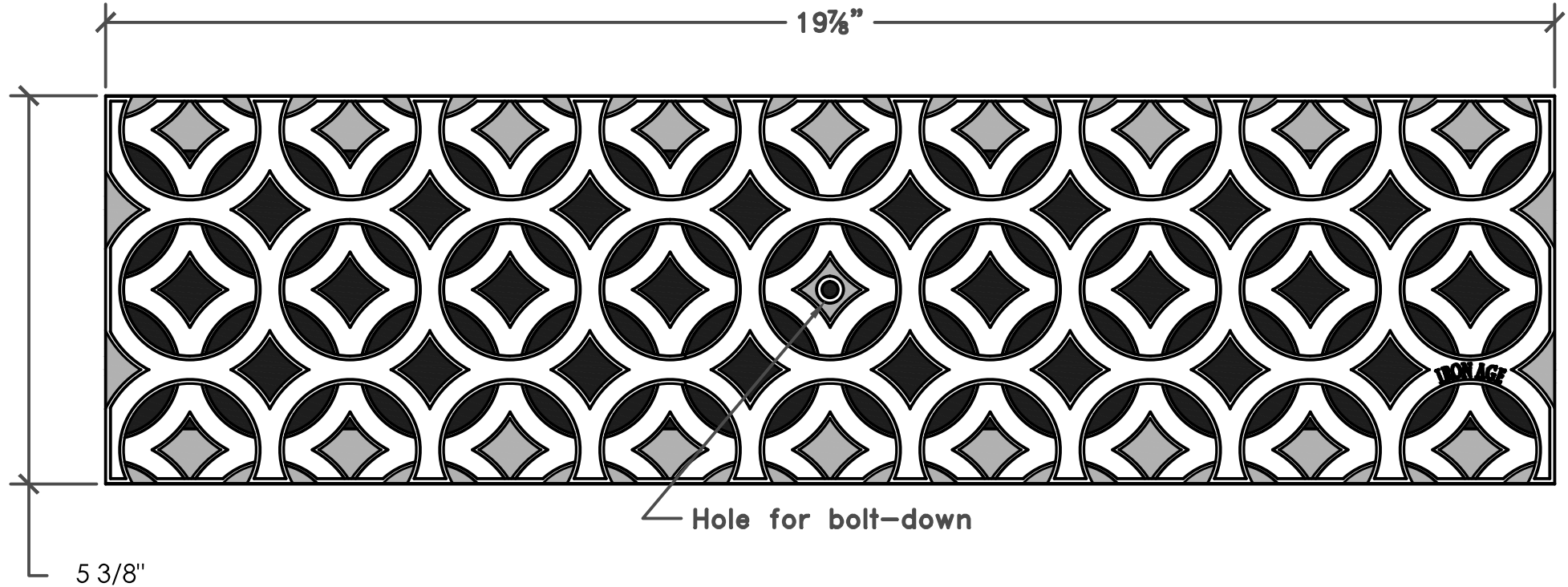


3 GRATES ARRAYED



TOP



NOTES:

1. Material: cast iron
2. Natural finish
3. Total thickness: $\frac{33}{32}$ "
4. Fits Zurn® Z806, Z886
5. No openings greater than 1/2"
6. Free Drain Area = 21%
7. Due to casting inconsistencies all dimensions are nominal.

 **IRON AGE** DESIGNS 2104 SW 152nd st #4 TEL 206.276.0925
Burien, WA 98166 FAX 206.257.0318
www.ironagegrates.com

Interlaken 5.38"x20" Trench Grate drawn by: JH
scale: NTS
drawing no. INT.Z.05x20.D date: 01/10/14