

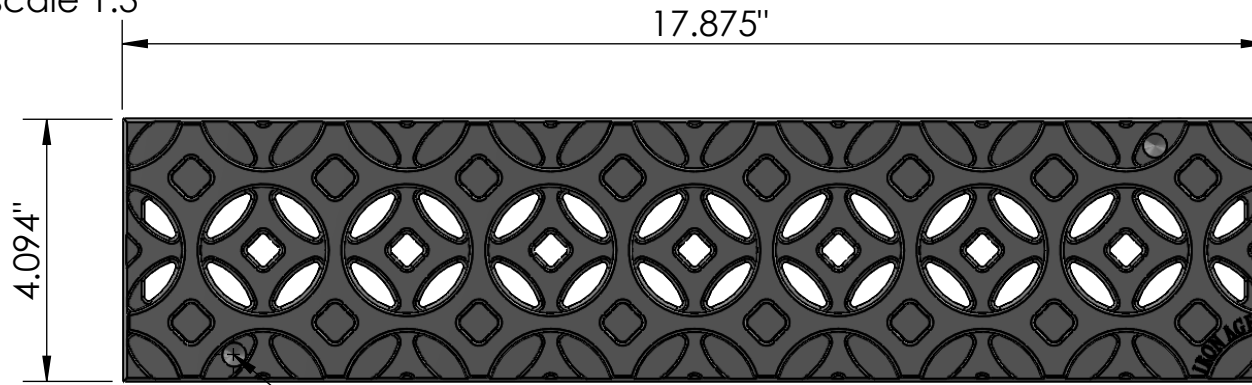
3 ARRAY
scale 1:7



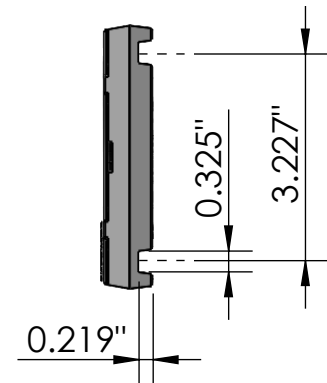
Casting-ID
scale 1:2



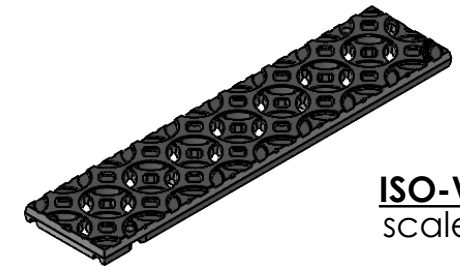
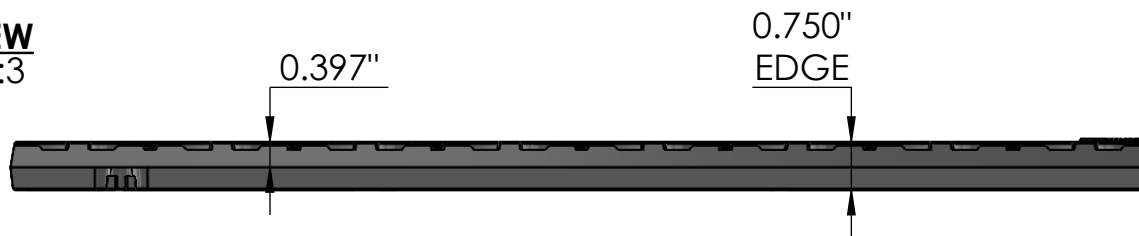
TOP VIEW
scale 1:3



END VIEW
scale 1:3



SIDE VIEW
scale 1:3




ISO-VIEW
scale 1:7

NOTES:

1. ADA Compliant: No thru openings greater than 1/2".
2. Ships in pieces: 1
3. Due to casting inconsistencies, all dimensions are nominal.

Made in USA ©2009 Iron Age Designs

Interlaken 4"x 18" Trench Grate

 IRON AGE DESIGNS Telephone 206.276.0925 www.ironagegrates.com	Material: Ductile Iron 65-45-12	Weight: 7.7 lbs.	Free Drain Area: 8.0 in/sq., or 11.08 %	By: MS	Checked: MS	Date: 1/3/23
	Finish: Raw	Edge: .750"	Flow Rate: 10.47 GPM, or .023 CuFt./sec.	© Registration: VA 1-964-357		Scale: NTS
	Fits: NDS™ Speed-D® Channel SOLD SEPARATELY	Product ID: IN4-18I02	Drawing Name: 02_INT_N_4x18_TrenchGrate_Iron			