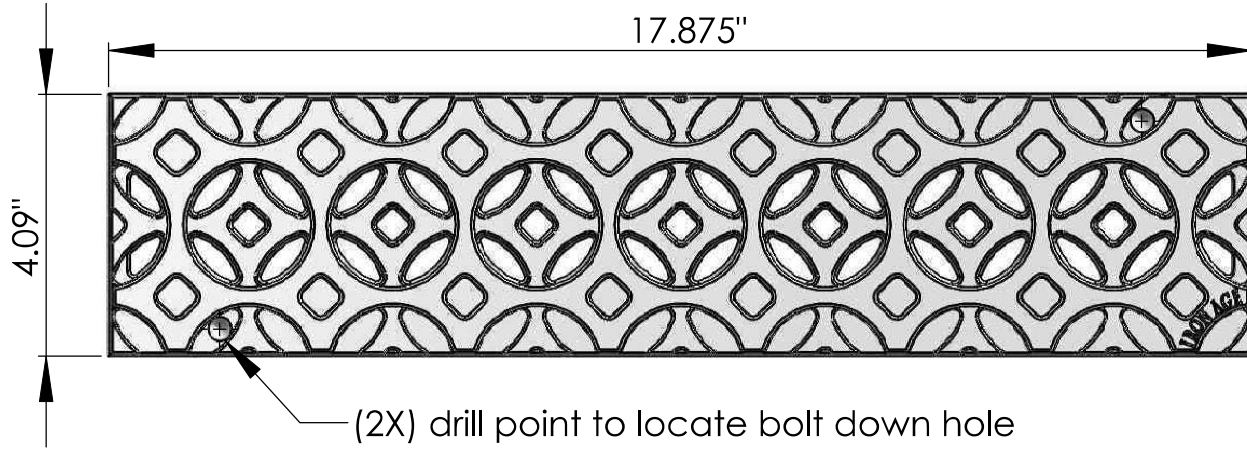
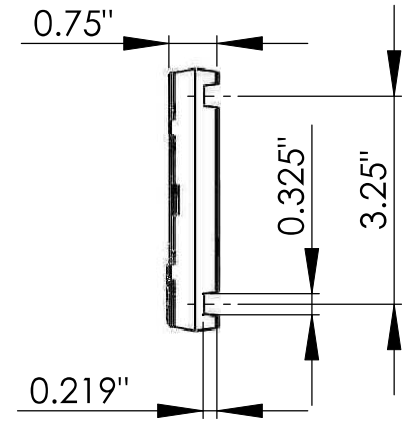


TOP
scale 1:3



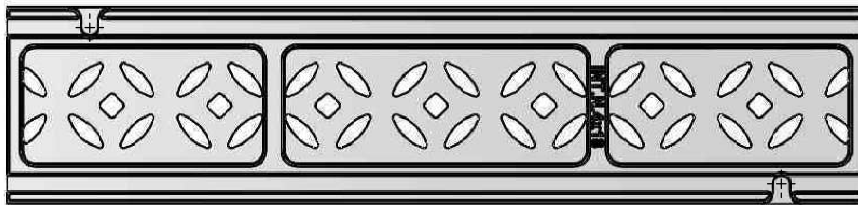
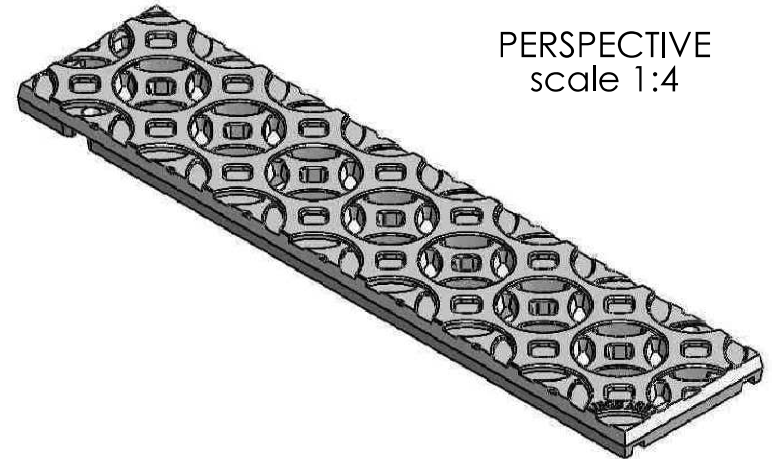
END
scale 1:3



EDGE
scale 1:3



PERSPECTIVE
scale 1:4



BACK
scale 1:4

NOTES:

1. Material: cast ductile iron
2. Finish: Natural
3. Total Thickness: .75"
4. Fits drain channel manufactured by: NDS™ Speed-D® Channel
5. No openings greater than: 1/2"
6. Free drain area: ~ 11%
7. Approx. weight approx. 8 lbs.
8. Due to casting inconsistencies all dimensions are nominal

 **IRON AGE** 2104 SW 152nd St. #4 TEL 206.276.0925
 DESIGNS Burién, WA 98166 FAX 206.257.0318
 www.ironagedesigns.com

Interlaken 4"x18" Trench Grate

Drawn by: CD
Date: 09/02/09
Scale: NTS

DWG. NO. INT.N.4x18

Design Patent: US D575,881 S
Registration Number: VA 1-964-357

© 2009 Iron Age Designs