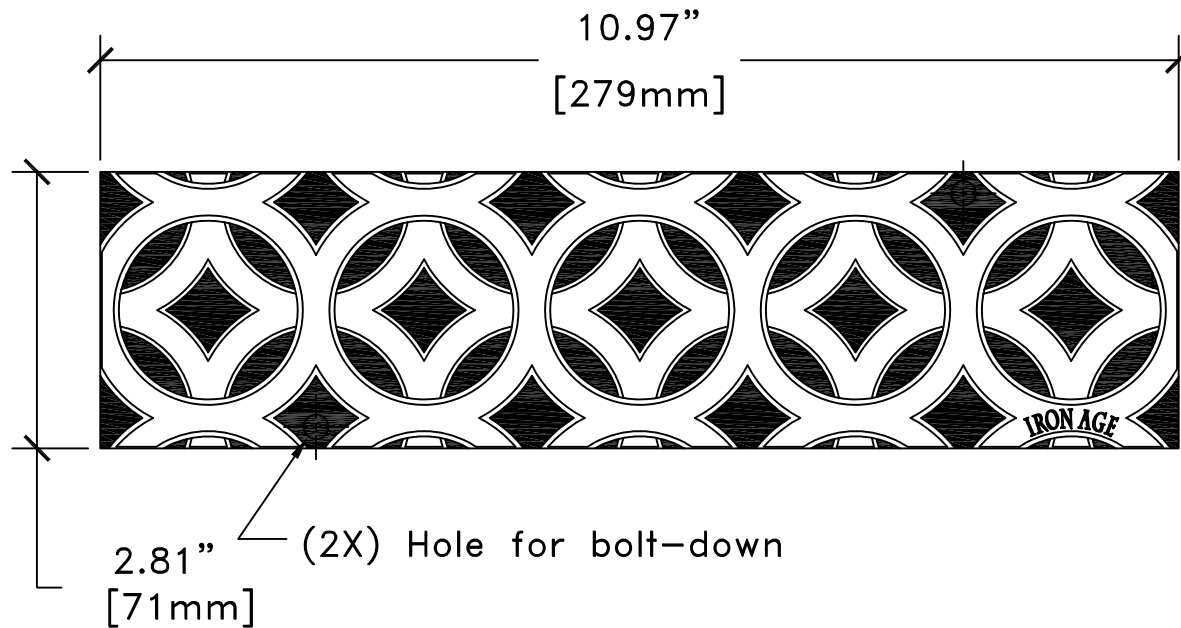


5 GRATES ARRAYED




TOP



NOTES:

- | | |
|--------------------------|--|
| 1. Material: cast iron | 5. No openings greater than 1/2" |
| 2. Natural finish | 6. Due to casting inconsistencies, all dimensions are nominal. |
| 3. Total thickness: 1/4" | |
| 4. Fits drain channels | |

manufactured by:
NDS® Mini-Channel



IRON AGE
DESIGNS

2104 SW 152nd St #4 TEL 206.276.0925
Burien, WA 98166 FAX 206.257.0318
www.ironagegrates.com

Interlaken 3" x 11" Trench Grate drawn by: CD
drawing no. INT.N.03x11 scale: NTS
date: 03/9/07