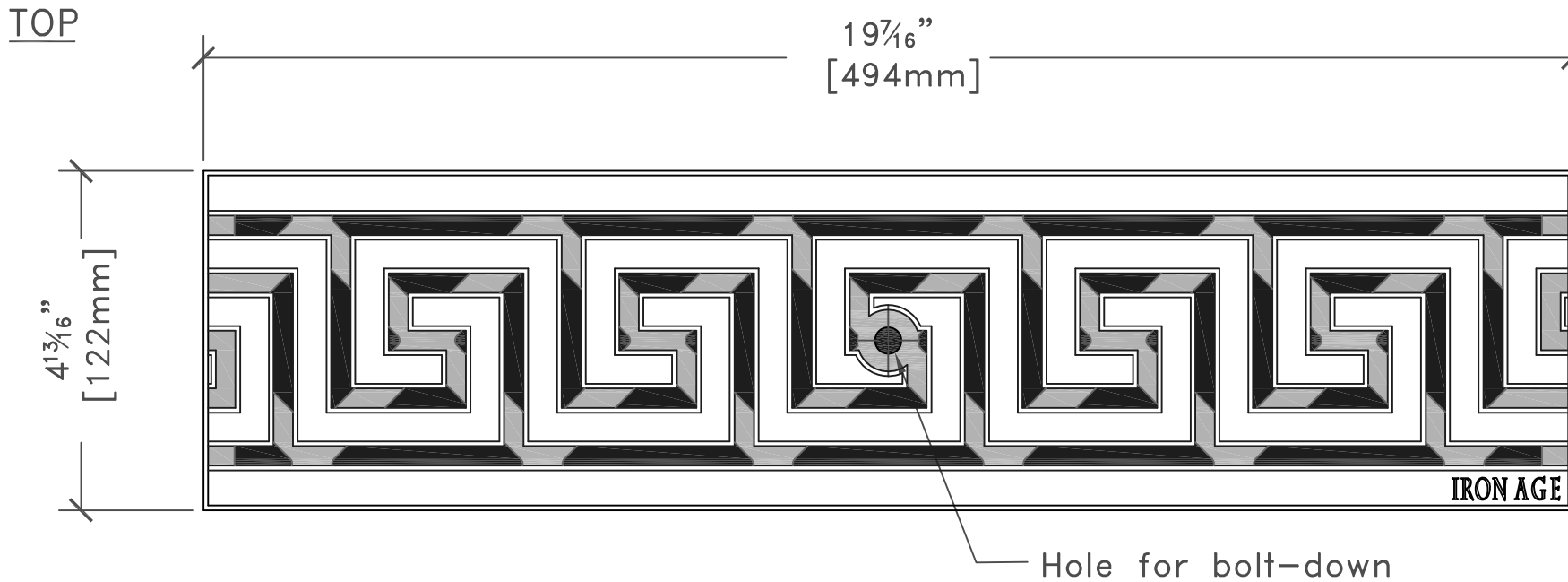
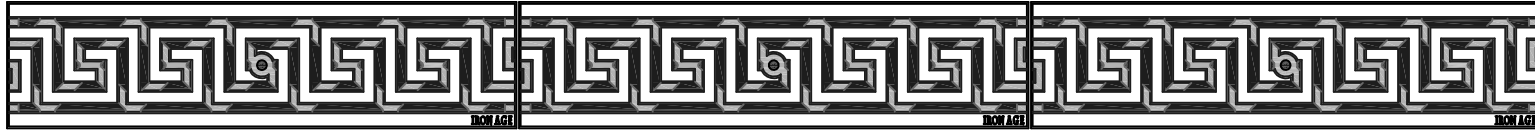


3 GRATES ARRAYED



NOTES:

1. Material: cast iron
2. Natural finish
3. Total thickness: $\frac{13}{16}$ "
4. Fits drain channels manufactured by:
5. No openings greater than $\frac{1}{2}$ "
6. Due to casting inconsistencies, all dimensions are nominal.

ABT® PolyDrain®,
 ACO™ K100/K100S, KS100
 MEA® 1000 Series

© 2009 Iron Age Designs

Registration Number:
 VA 2-007-080



IRON AGE
 DESIGNS

2104 SW 152nd St #4 TEL 206.276.0925
 Burien, WA 98166 FAX 206.257.0318
 www.ironagegrates.com

Greek Key 5"x20" Trench Grate

drawing no. GRK.A.05x20

drawn by: CD
 scale: NTS
 date: 01/01/09