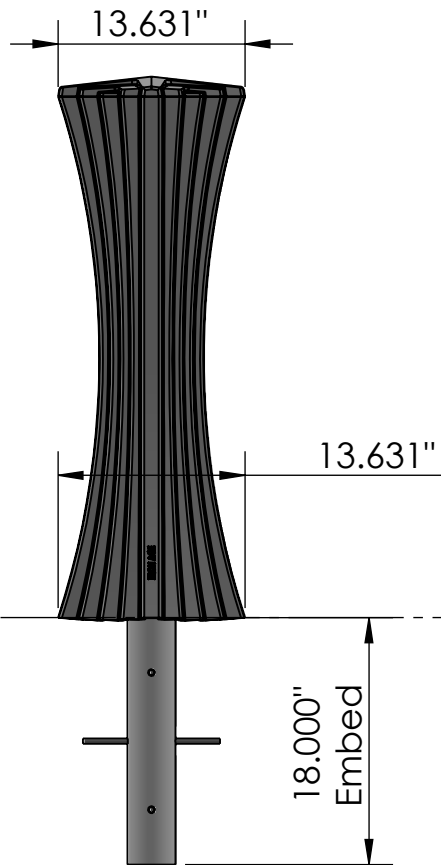
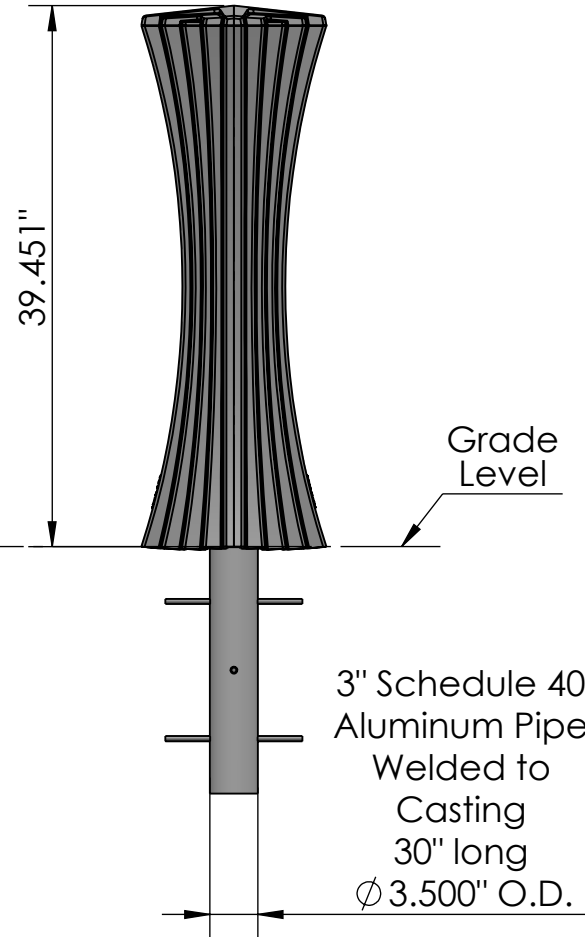


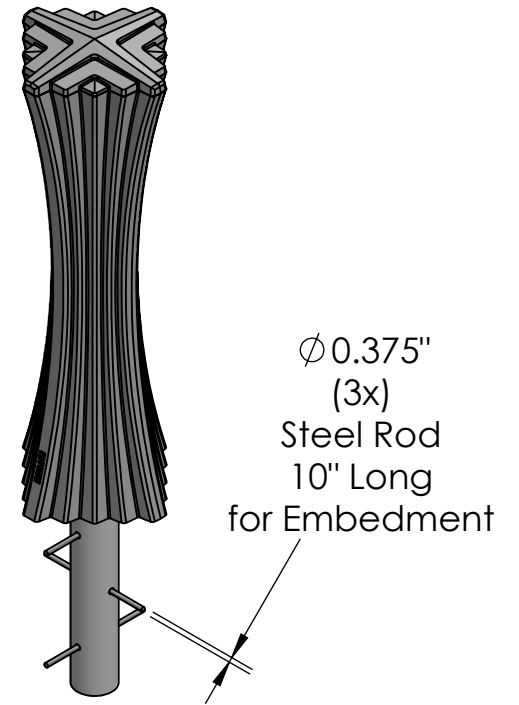
SIDE VIEW
scale 1:14



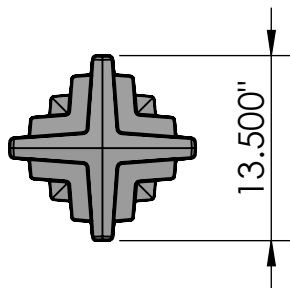
END VIEW
scale 1:14



ISO-VIEW
scale 1:14



TOP VIEW
scale 1:14




Frank Bollard

NOTES:

1. Ships in pieces: 1
2. Due to casting inconsistencies, all dimensions are nominal.

Made in USA ©2012 Iron Age Designs

 IRON AGE DESIGNS Telephone 206.276.0925 www.ironagegrates.com	Material: Cast Aluminum 356-T6	Weight: 67.84 lbs.	Free Drain Area: N/A in/sq., or N/A %	By: MS Checked: MS Date: 5-12-22
	Finish: Powder Coat	Edge: N/A	Flow Rate: N/A GPM, or N/A CuFt./sec.	© Registration: Pending Scale: NTS
	Fits: Embedment	Product ID: FRABO39A	Drawing Name: 02_FRK_39"_Bollard	