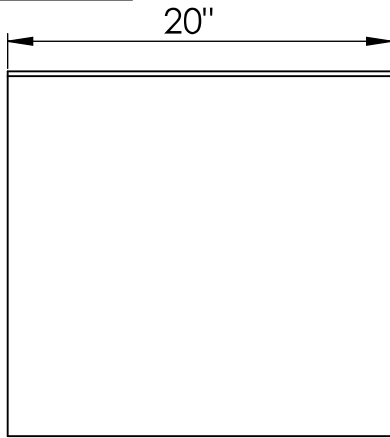
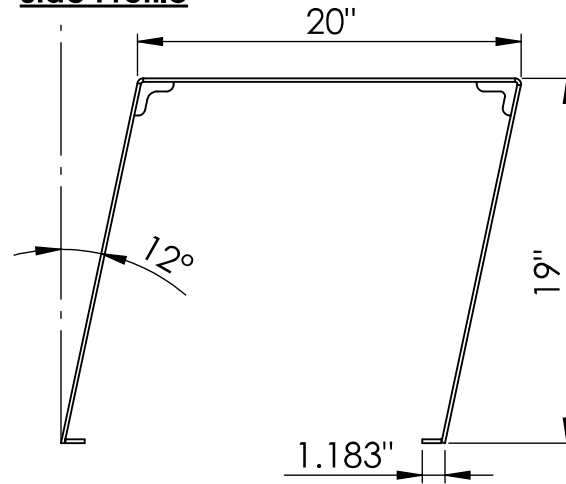


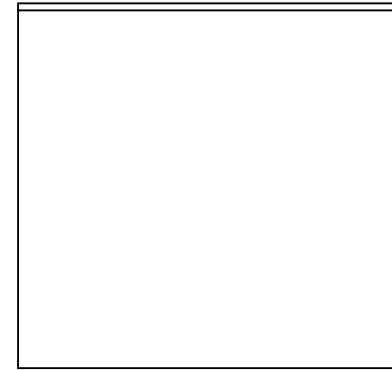
**Obtuse Face**



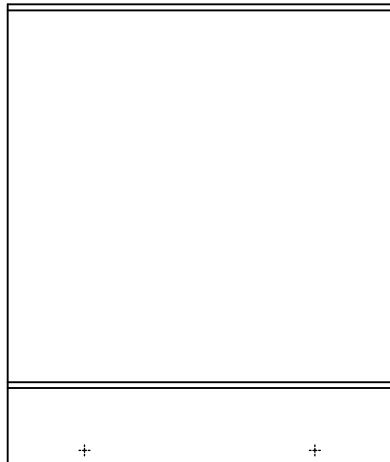
**Side Profile**



**Acute Face**

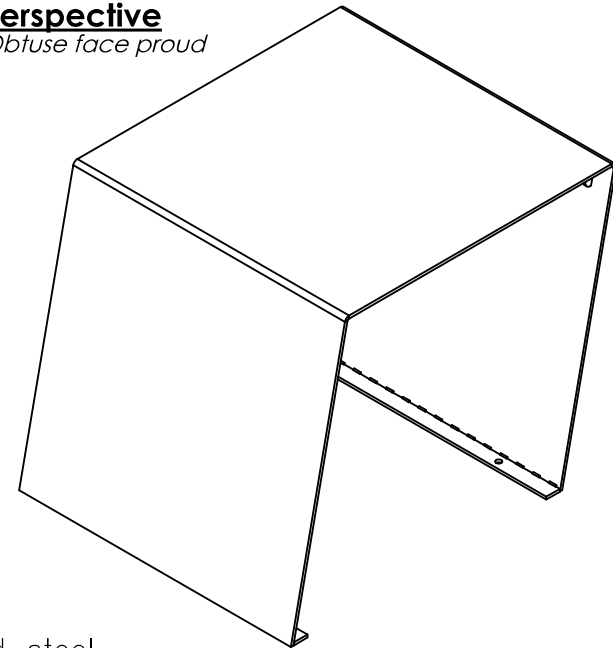


**Top**



**Perspective**

*Obtuse face proud*



**NOTES:**

1. Material: mild steel
2. Finish: Powdercoat; Color TBD
3. Standard thickness:  $\frac{3}{16}$ "
4. No openings larger than  $1\frac{1}{2}$ "
5. Weight approx. N/A
6. Due to casting inconsistencies all dimensions are nominal