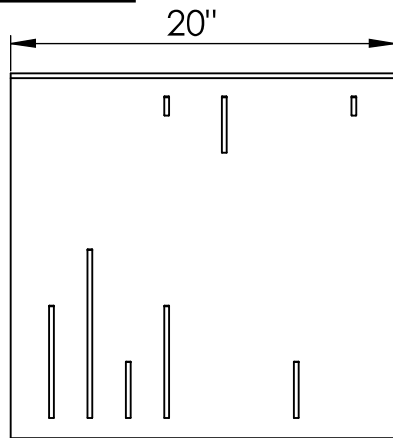
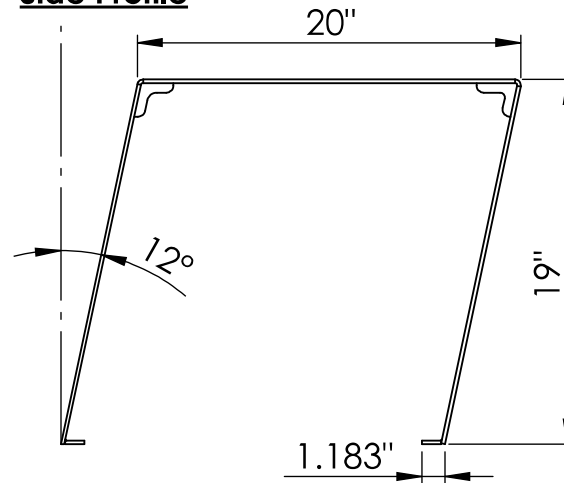


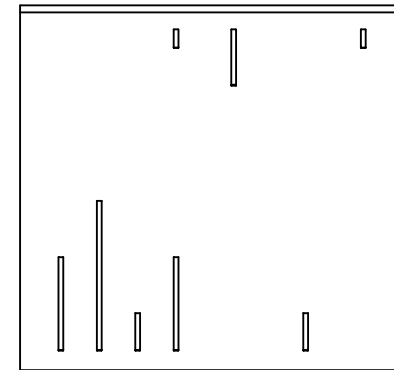
**Obtuse Face**



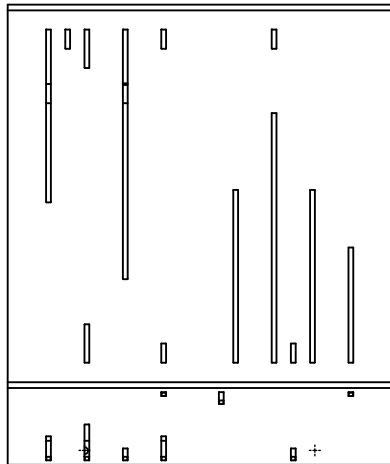
**Side Profile**



**Acute Face**

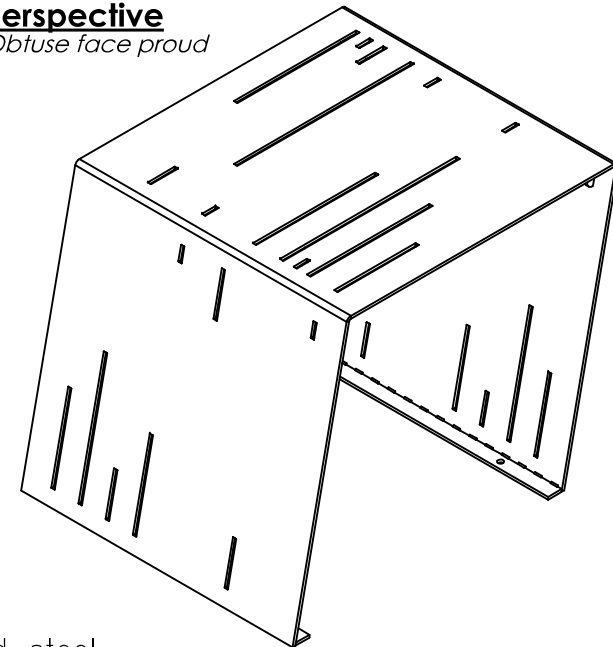


**Top**




**Perspective**

*Obtuse face proud*



**NOTES:**

1. Material: mild steel
2. Finish: Powdercoat; Color TBD
3. Standard thickness:  $\frac{3}{16}$ "
4. No openings larger than  $1\frac{1}{2}$ "
5. Weight approx. N/A
6. Due to casting inconsistencies all dimensions are nominal

 **IRON AGE** 2104 SW 152nd St. #4 TEL 206.276.0925  
 Burién, WA 98166 FAX 206.257.0318  
 DESIGNS www.ironagedesigns.com

Formato Lines 19" Cube Seating

JOB NO. Drawn by: JH  
 Date: 1/16/14  
 DWG. NO. 001-NAME.I.SIZE Scale: NTS