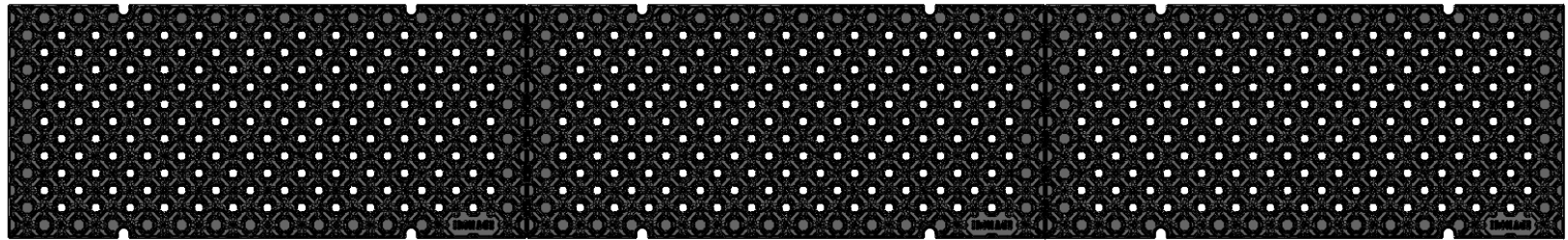
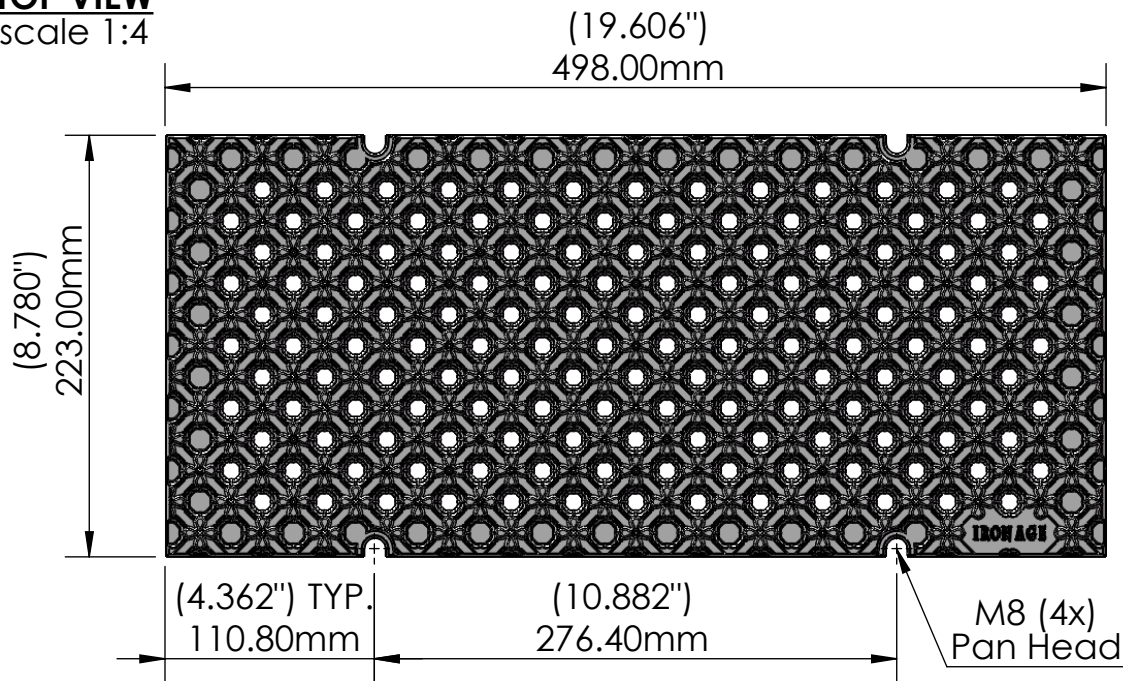


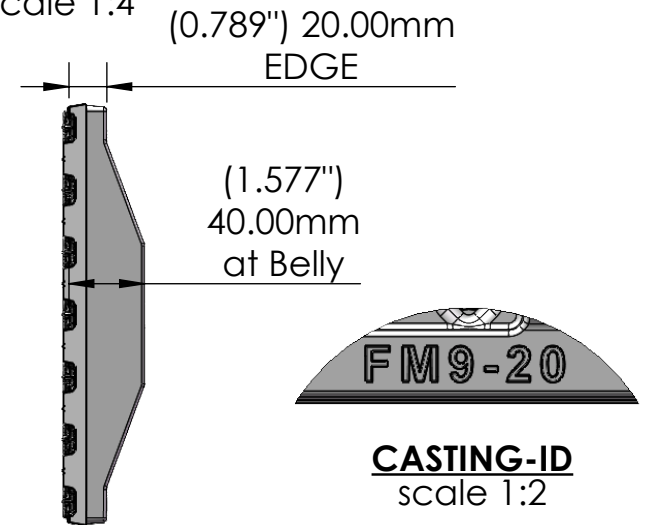
3 ARRAY
scale 1:7



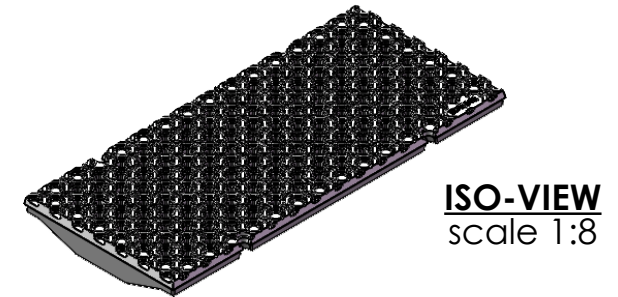
TOP VIEW
scale 1:4



END VIEW
scale 1:4



SIDE VIEW
scale 1:4




NOTES:

1. ADA Compliant: No thru openings greater than 1/2".
2. Ships in pieces: 1
3. Due to casting inconsistencies, all dimensions are nominal.

Made in USA ©2015 Iron Age Designs

Flower Grid 9"x 20" Trench Grate

 IRON AGE DESIGNS Telephone 206.276.0925 www.ironagegrates.com	Material: Ductile Iron 65-45-12	Weight: 28.00 lbs.	Free Drain Area: 15.28 in/sq., or 8.88 %	By: MS Checked: MS Date: 2-1-24
	Finish: Raw	Edge: 20mm / 0.79"	Flow Rate: 20.02 GPM, or .044 CuFt./sec.	© Registration: VA 2-007-079 Scale: NTS
	Fits: MEA® EN2000 By Other	Product ID: FM9-20122	Drawing Name: 02_FlowerGrid_M_9x20_TrenchGrate	