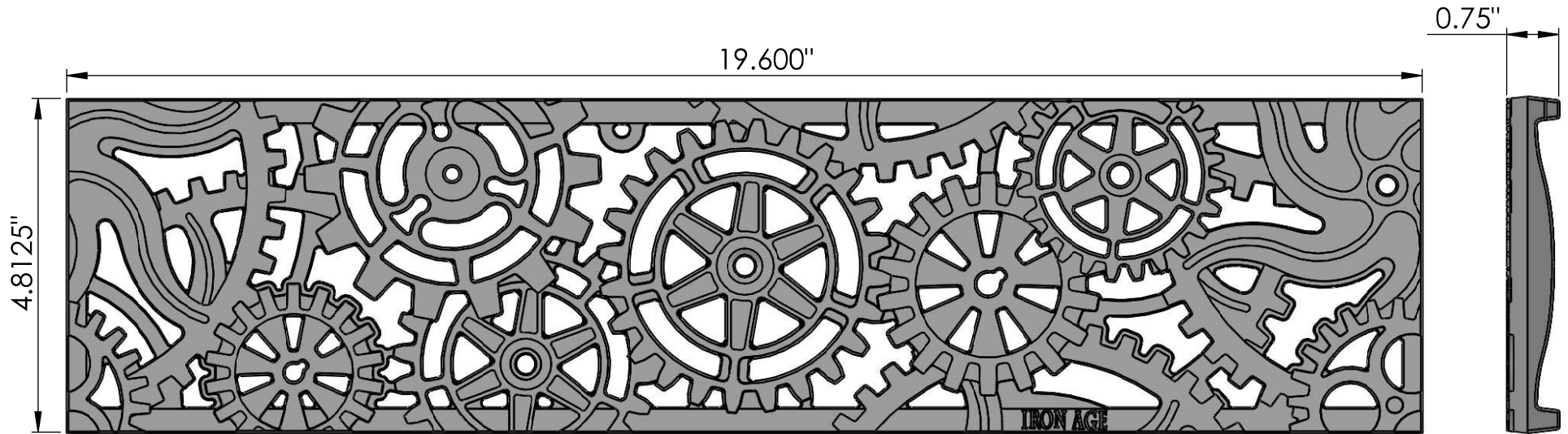
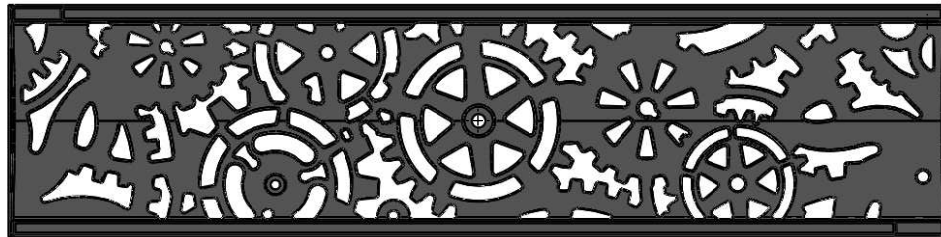


4x Array

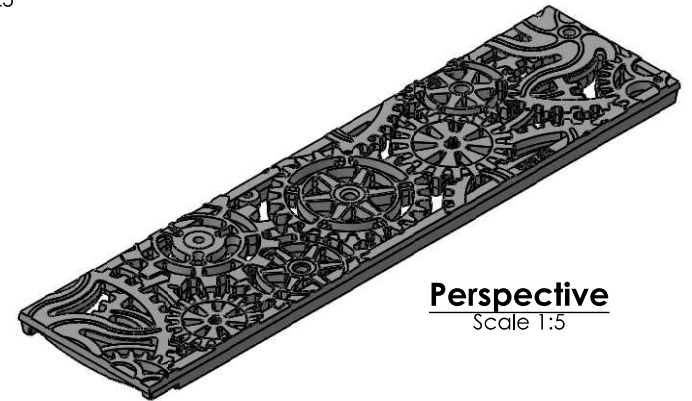
Scale 1:7



TOP
Scale 1:2.25



Back
Scale 1:4



Perspective
Scale 1:5

NOTES:

1. Material: cast iron
2. Natural finish
3. Edge thickness: 3/4"
4. Fits ACO™ K100/K100S, ABT® Polydrain®, MEA® 1000 Series
5. ADA Compliant: No opening greater than 1/2"
6. Weight approx. <9lbs
7. Free Drain Area: 26.2%
8. Due to casting inconsistencies all dimensions are nominal

 **IRON AGE** 2104 SW 152nd St. #4 TEL 206.276.0925
DESIGNS Burién, WA 98166 FAX 206.257.0318
www.ironagedesigns.com

Dynamo 5"x20" Trench Grate

JOB NO. Drawn by: JH
Date: 7/29/13
DWG. NO. DYN.I.5x20 Scale: NTS