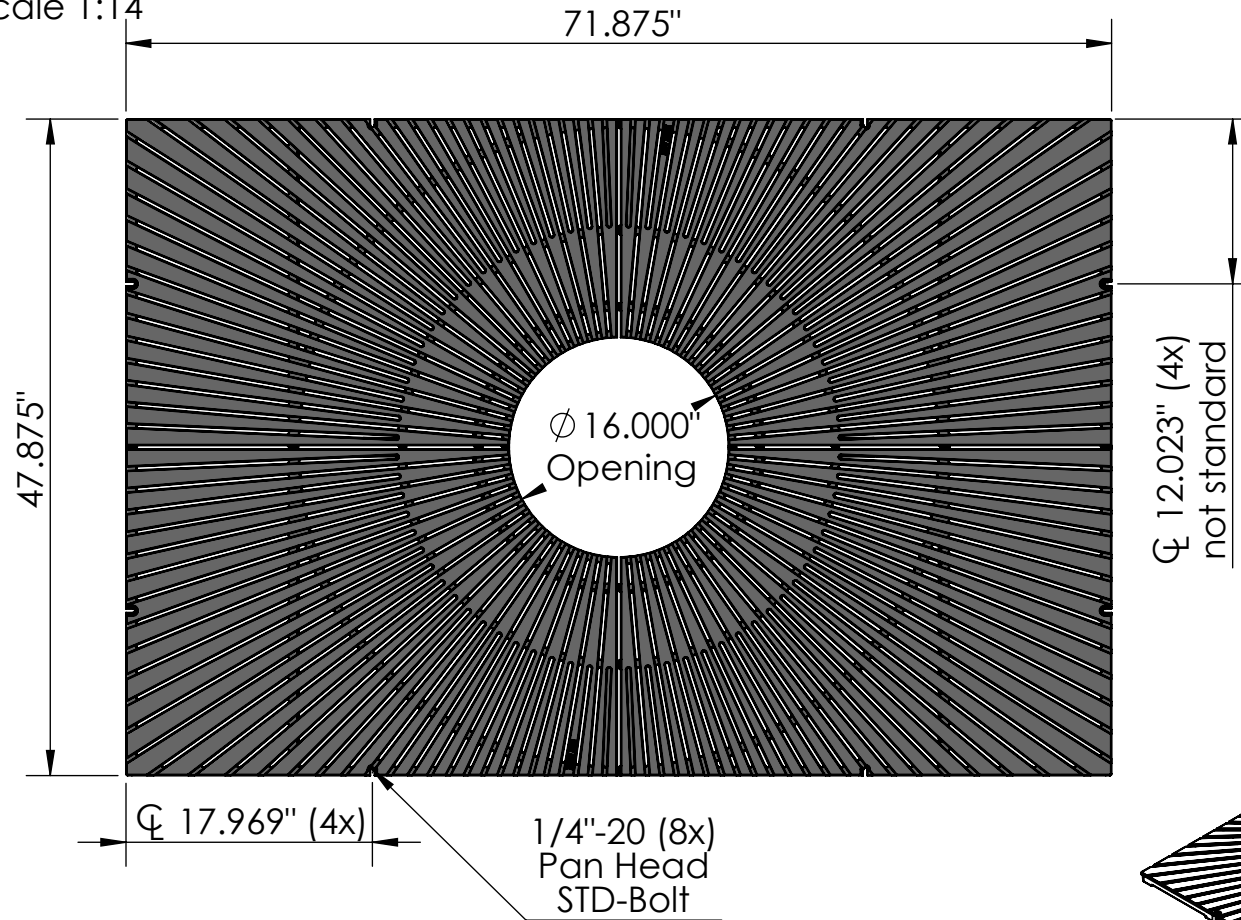


TOP VIEW
scale 1:14

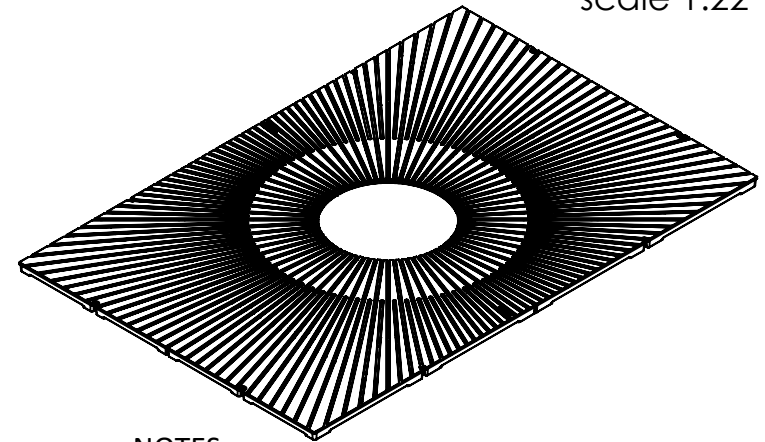


CASTING-ID
scale 1:2

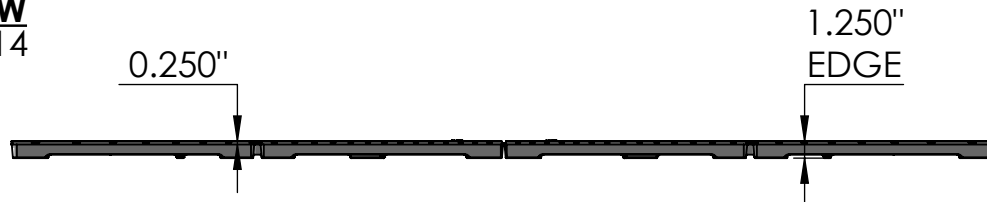


Ø 12.023" (4x)
not standard

ISO-VIEW
scale 1:22



SIDE VIEW
scale 1:14




NOTES:

1. Heelproof: No thru openings greater than ¼".
2. Pieces per Set: 4
3. Due to casting inconsistencies, all dimensions are nominal.
4. Center Opening Options:
Cast at 16", Breakouts at 20".
5. Pedestrian Load Only.

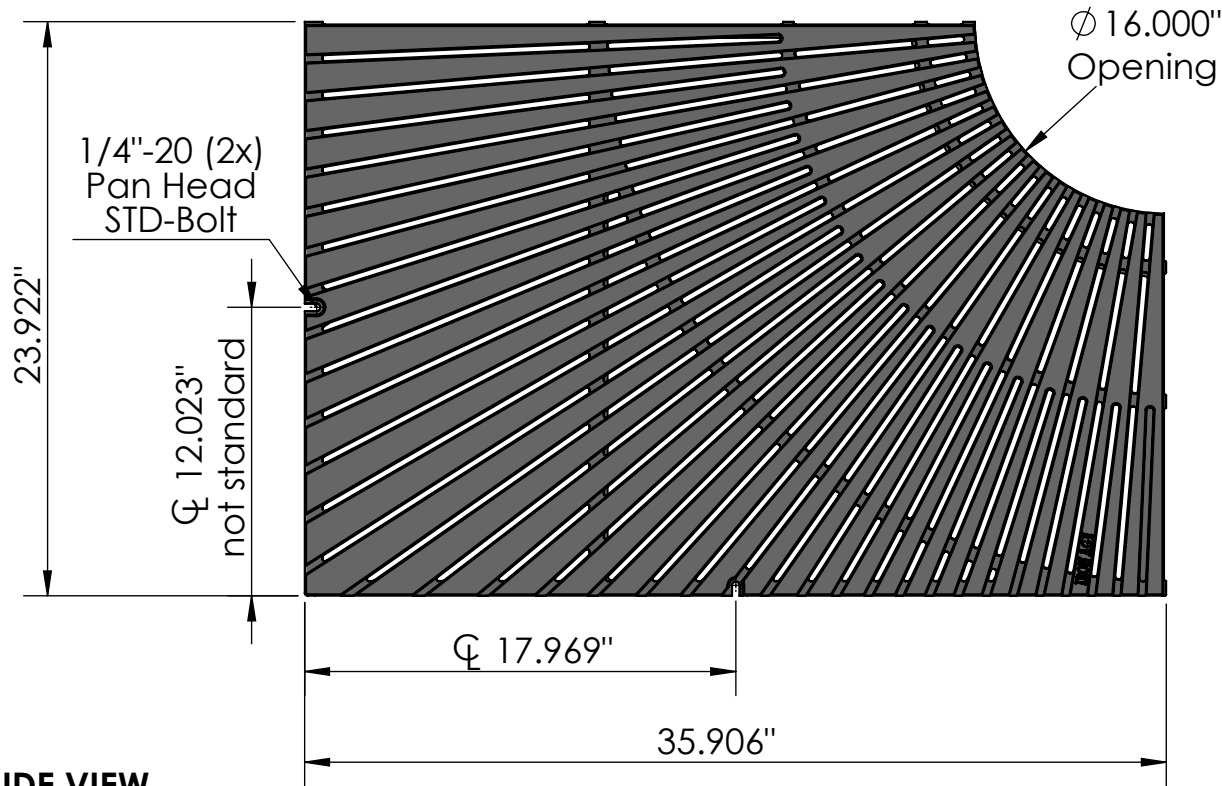
Corona 4' x 6' Tree Grate Heel Proof

Made in USA ©2017 Iron Age Designs

 IRON AGE DESIGNS Telephone 206.276.0925 www.ironagegrates.com	Material: Ductile Iron 65-45-12 or better	Weight: 274.16 lbs.	Free Drain Area: 642.85 in/sq. or 19.86 %	By: MS Checked: MS Date: 3-23-21
	Finish: Raw	Edge: 1.250"	Flow Rate: 842.14 GPM	© Registration: Pending Scale: NTS
	Fits: Iron Age Custom Frame SOLD SEPARATELY	Product ID: COX48-72199TGHP	Drawing Name: 04_COX_I_48x72HP_TreeGrate_Comp_16open	

TOP VIEW

scale 1:8



CASTING-ID

scale 1:2



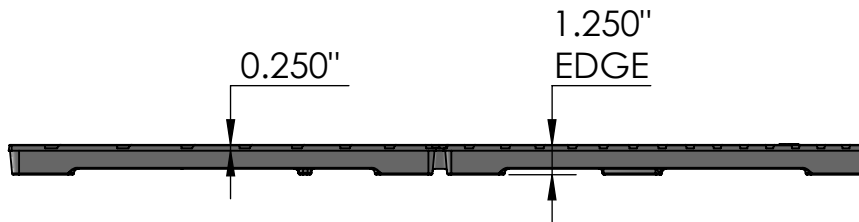
ISO-VIEW

scale 1:12



SIDE VIEW

scale 1:8




NOTES:

1. Heelproof: No thru openings greater than ¼".
2. Due to casting inconsistencies, all dimensions are nominal.
3. Pedestrian Load Only.

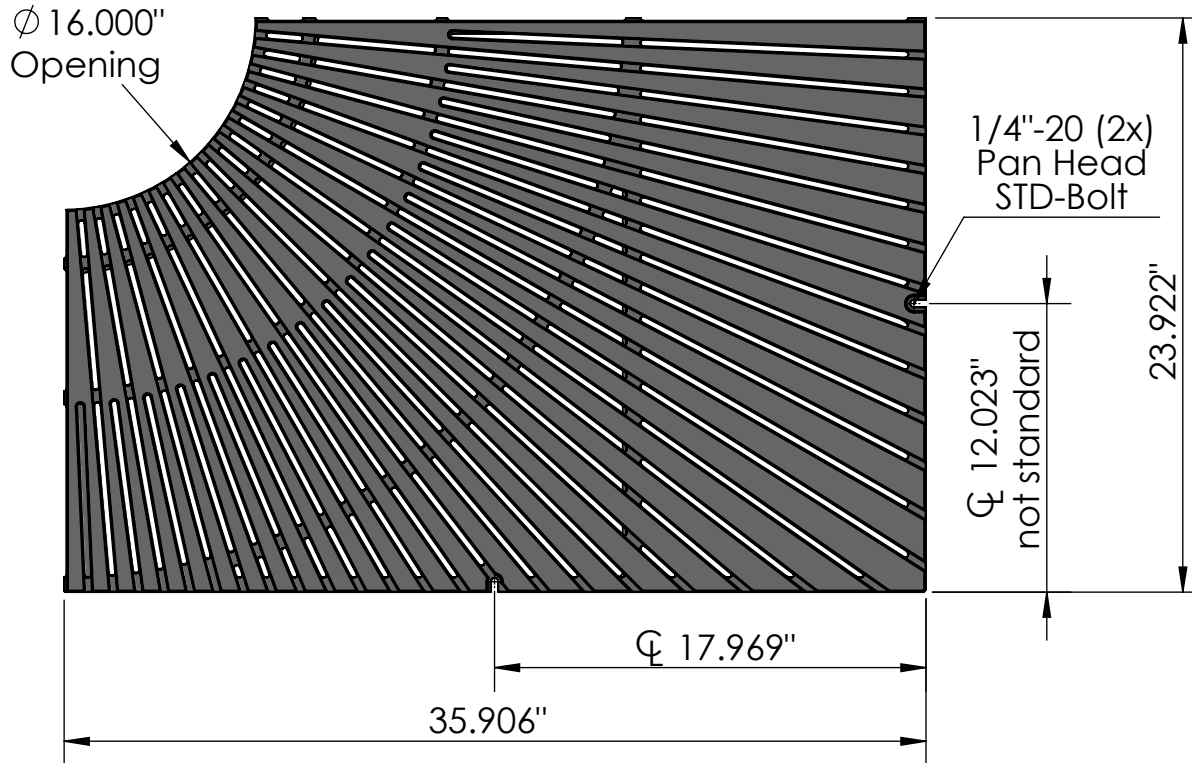
Made in USA

©2017 Iron Age Designs

Corona 4' x 6' Tree Grate Heel Proof - Left Panel

 IRON AGE DESIGNS Telephone 206.276.0925 www.ironagegrates.com	Material: Ductile Iron 65-45-12 or better	Weight: 68.54 lbs.	Free Drain Area: 160.71 in/sq. or 19.86 %	By: MS	Checked: MS	Date: 3-23-21
	Finish: Raw	Edge: 1.250"	Flow Rate: 210.53 GPM	© Registration: Pending		Scale: NTS
	Fits: Iron Age Custom Frame SOLD SEPARATELY	Product ID: COX48-72I99TGHPL	Drawing Name: 04_COX_I_48x72HP_TreeGrate_16open			

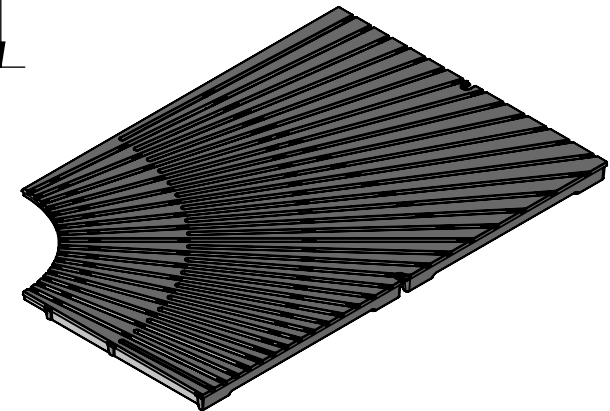
TOP VIEW
scale 1:8



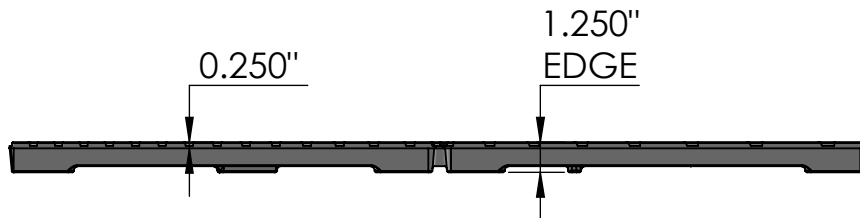
CASTING-ID
scale 1:2



ISO-VIEW
scale 1:12



SIDE VIEW
scale 1:8



NOTES:

1. Heelproof: No thru openings greater than ¼".
2. Due to casting inconsistencies, all dimensions are nominal.
3. Pedestrian Load Only.

Made in USA ©2017 Iron Age Designs

Corona 4' x 6' Tree Grate Heel Proof - Right Panel

<p>IRON AGE DESIGNS Telephone 206.276.0925 www.ironagegrates.com</p>	<p>Material: Ductile Iron 65-45-12 or better</p>	<p>Weight: 68.54 lbs.</p>	<p>Free Drain Area: 160.71 in/sq. or 19.86 %</p>	<p>By: MS</p>	<p>Checked: MS</p>	<p>Date: 3-23-21</p>	
	<p>Finish: Raw</p>	<p>Edge: 1.250"</p>	<p>Flow Rate: 210.53 GPM</p>	<p>© Registration: Pending</p>	<p>Scale: NTS</p>		
	<p>Fits: Iron Age Custom Frame SOLD SEPARATELY</p>	<p>Product ID: COX48-72I99TGHPR</p>	<p>Drawing Name: 04_COX_I_48x72HP_TreeGrate_16open</p>				