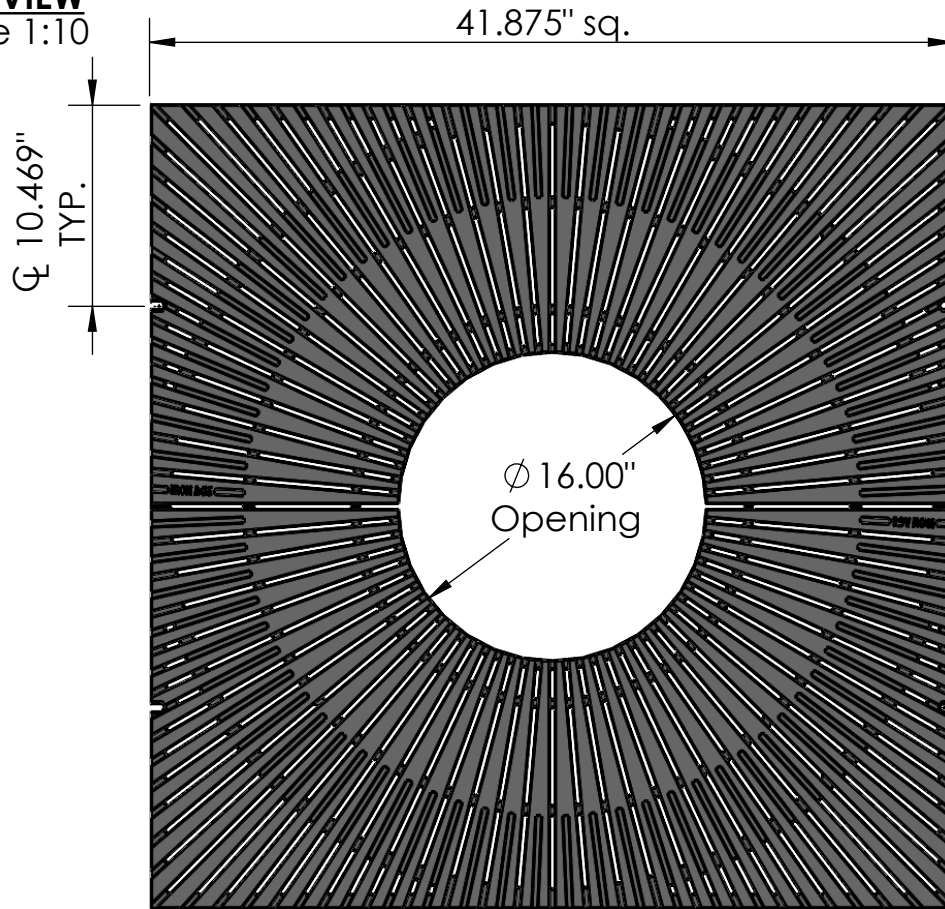


TOP VIEW
scale 1:10

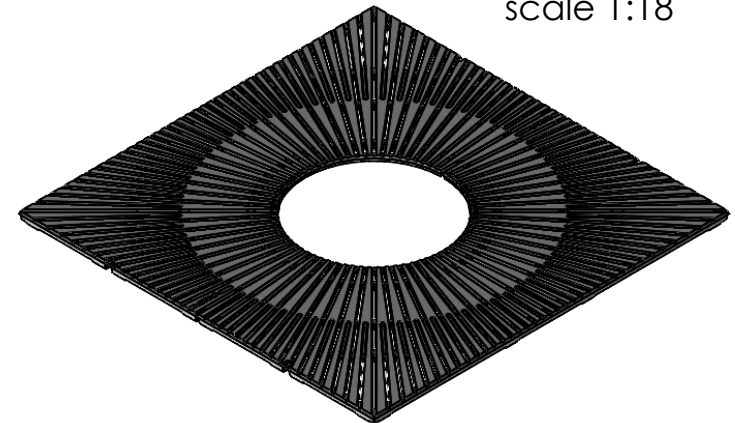


CASTING-ID
scale 1:1.5

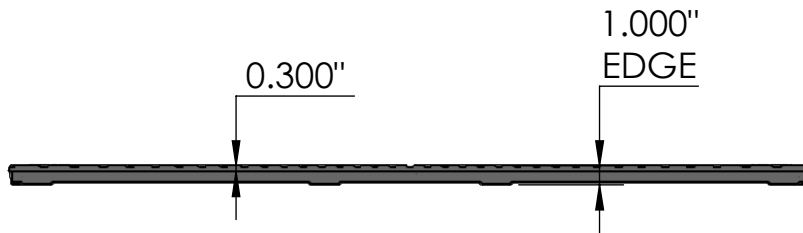


1/4"-20 (4x)
Pan Head
STD-Bolt

ISO-VIEW
scale 1:18



SIDE VIEW
scale 1:10



NOTES:

1. Heelproof: No thru openings greater than 1/4".
2. Pieces per Set: 2
3. Due to casting inconsistencies, all dimensions are nominal.
4. Center Opening Options:
Cast at 16", Breakout at 20".
5. Pedestrian Load Only.

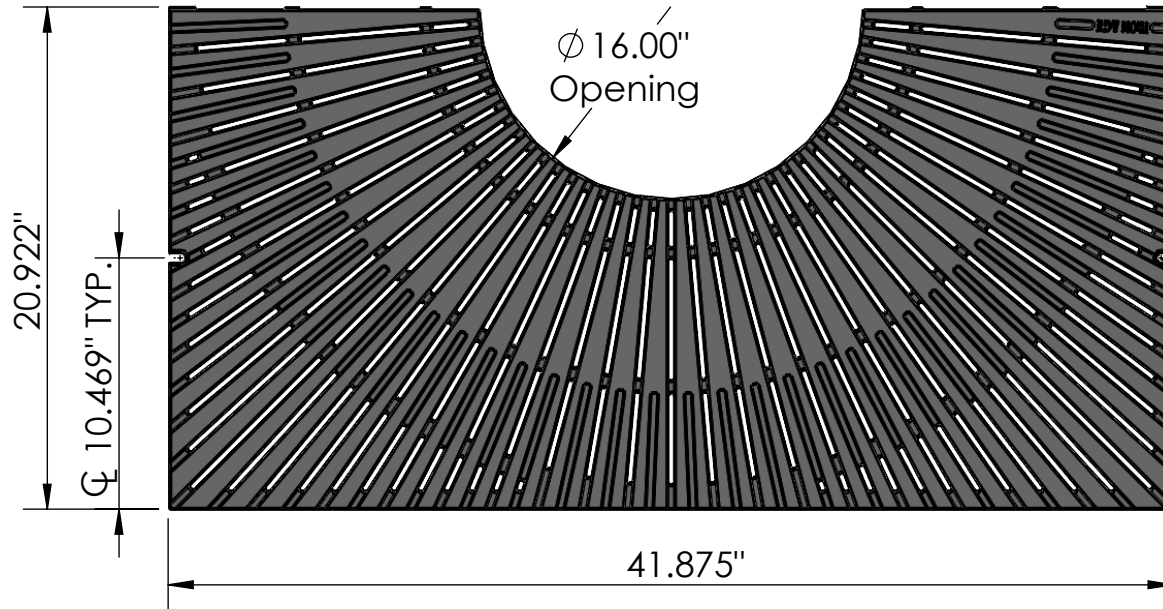
Corona 3'-6" x 3'-6" Tree Grate Heel Proof

Made in USA ©2019 Iron Age Designs



Material: Grey Iron CL 30 or better	Weight: 163.60 lbs.	Free Drain Area: 225.30 in/sq. 14.51 %	By: MS	Checked: MS	Date: 2-23-21
Finish: Raw	Edge: 1.000"	Flow Rate: 295.14 GPM	© Registration: Pending		Scale: NTS
Fits: Iron Age Custom Frame SOLD SEPARATELY	Product ID: COX42-42I99TGHP	Drawing Name: 01_COX_I_42x42HP_TreeGrate_Comp			

TOP VIEW
scale 1:8

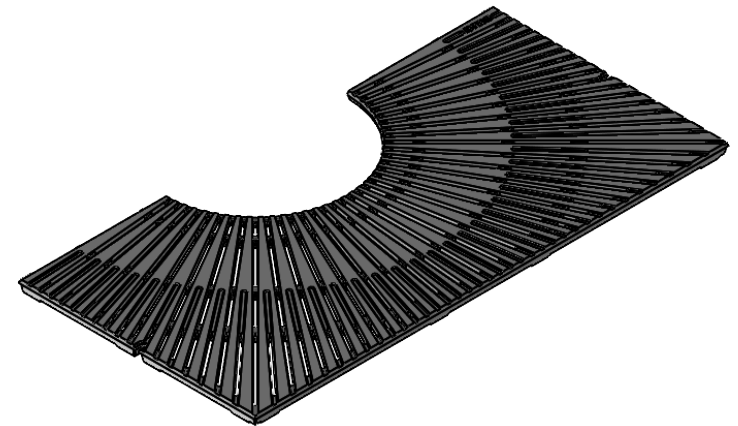


CASTING-ID
scale 1:1.5

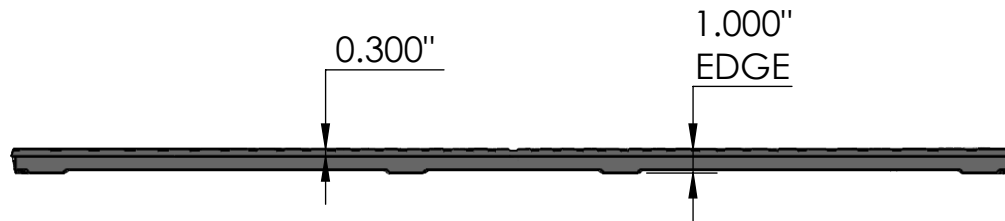


1/4"-20 (2x)
Pan Head
STD-Bolt

ISO-VIEW
scale 1:12



SIDE VIEW
scale 1:8



NOTES:

1. Heelprof: No thru openings greater than 1/4".
2. Due to casting inconsistencies, all dimensions are nominal.
3. Pedestrian Load Only.

Made in USA ©2019 Iron Age Designs

Corona 3'-6" x 3'-6" Tree Grate Heel Proof - Half Panel



Material: Grey Iron CL 30 or better	Weight: 81.80 lbs.	Free Drain Area: 112.65 in/sq. 14.51 %	By: MS	Checked: MS	Date: 2-23-21
Finish: Raw	Edge: 1.000"	Flow Rate: 148.69 GPM	© Registration: Pending		Scale: NTS
Fits: Iron Age Custom Frame SOLD SEPARATELY	Product ID: COX42-42I99TGHP	Drawing Name: 01-COR_I_42x42HP_TreeGrate			