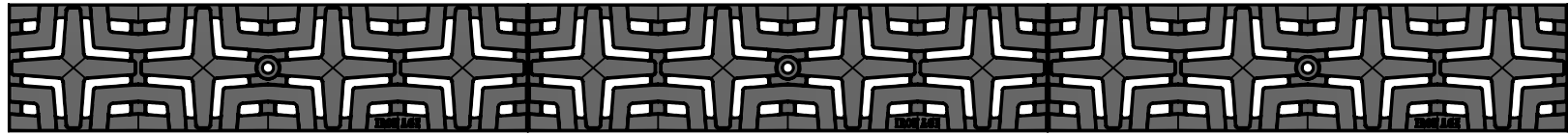
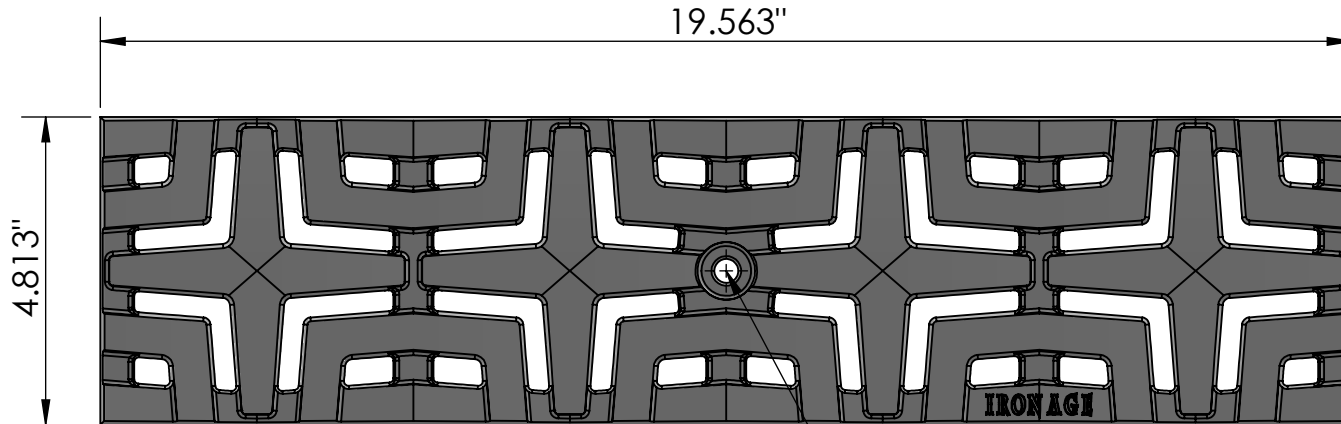


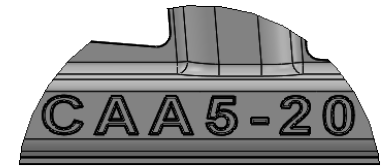
**3 ARRAY**  
scale 1:7



**TOP VIEW**  
scale 1:3

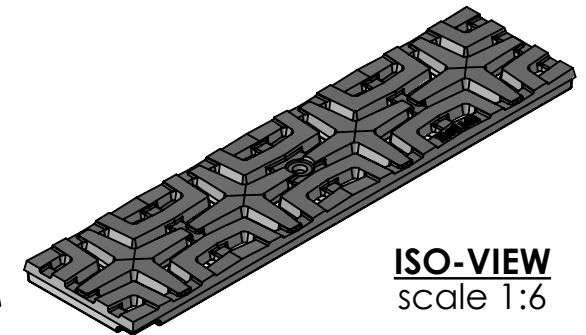
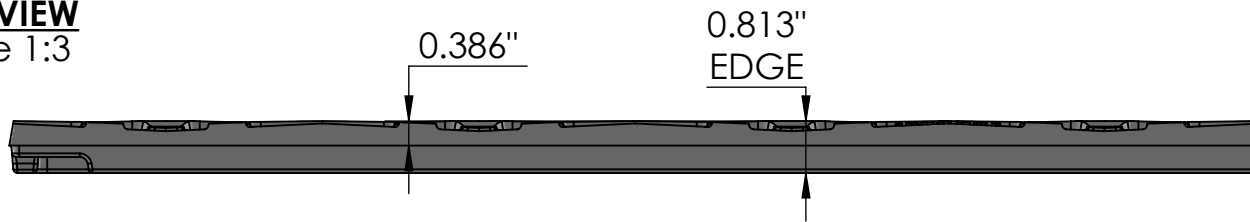


5/16"-18 Pan Head  
STD Bolt



**CASTING-ID**  
scale 1:1

**SIDE VIEW**  
scale 1:3




**ISO-VIEW**  
scale 1:6

**NOTES:**

1. ADA Compliant: No thru openings greater than 1/2".
2. Ships in pieces: 1
3. Due to casting inconsistencies, all dimensions are nominal.

Made in USA ©2009 Iron Age Designs

**Carbochon 5"x 20" Trench Garate**

 <b>IRON AGE DESIGNS</b> Telephone 206.276.0925 www.ironagegrates.com	<b>Material:</b> Ductile Iron 65-45-12	<b>Weight:</b> 11.56 lbs.	<b>Free Drain Area:</b> 18.51 in/sq., or 19.70 %	<b>By:</b> MS <b>Checked:</b> MS <b>Date:</b> 9-6-23
	<b>Finish:</b> Raw	<b>Edge:</b> 0.8125"	<b>Flow Rate:</b> 24.25 GPM, or .054 CuFt./sec.	<b>© Registration:</b> VA 2-007-335 <b>Scale:</b> NTS
	<b>Fits:</b> ABT® PolyDrain® ACO™ K100/K100s/KS100 MEA® 1000 Series By Other	<b>Product ID:</b> CAA5-20I21	<b>Drawing Name:</b> 03_CAR_A_5x20_TrenchGrate	