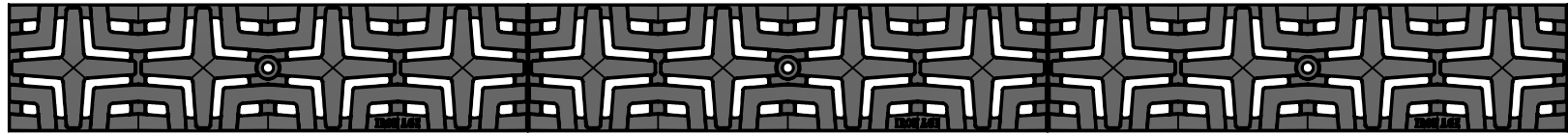
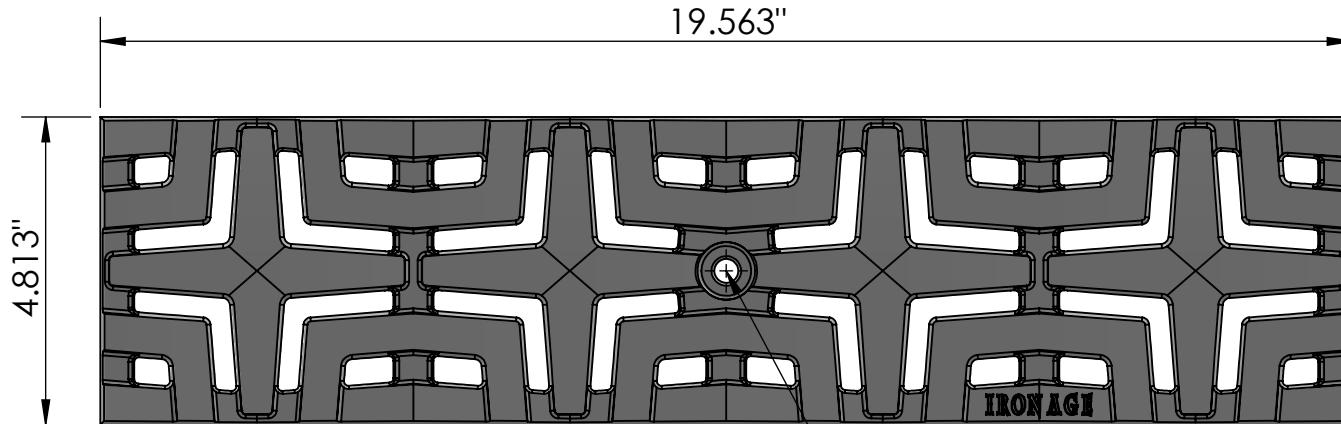


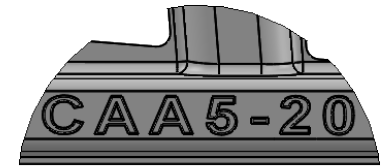
3 ARRAY
scale 1:7



TOP VIEW
scale 1:3

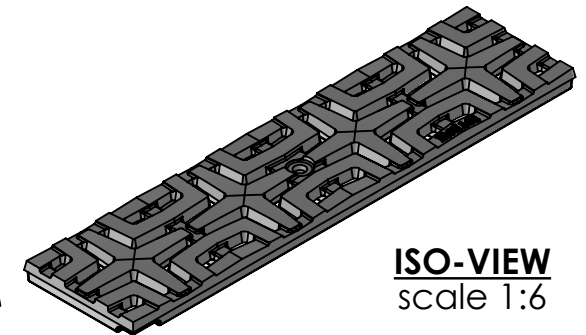
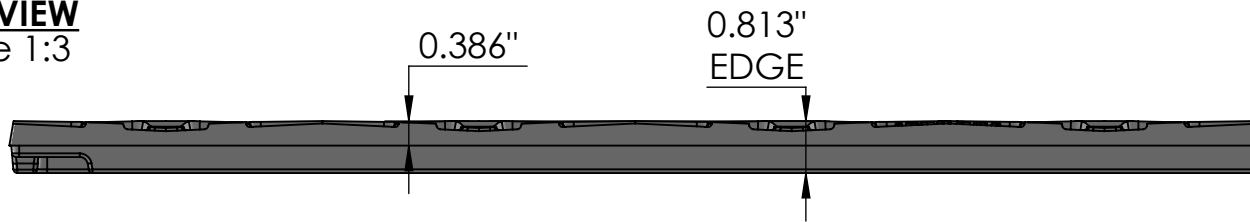


5/16"-18 Pan Head
STD Bolt



CASTING-ID
scale 1:1

SIDE VIEW
scale 1:3




ISO-VIEW
scale 1:6

NOTES:

1. ADA Compliant: No thru openings greater than 1/2".
2. Ships in pieces: 1
3. Due to casting inconsistencies, all dimensions are nominal.

Made in USA ©2009 Iron Age Designs

Carbochon 5"x 20" Trench Garate

 IRON AGE DESIGNS Telephone 206.276.0925 www.ironagegrates.com	Material: Ductile Iron 65-45-12	Weight: 8.86 lbs.	Free Drain Area: 18.51 in/sq., or 19.70 %	By: MS Checked: MS Date: 5-29-26
	Finish: Raw	Edge: 0.8125"	Flow Rate: 24.25 GPM, or .054 CuFt./sec.	© Registration: VA 2-007-335 Scale: NTS
	Fits: ABT® PolyDrain® ACO™ K100/K100s/KS100 MEA® 1000 Series By Other	Product ID: CAA5-20I21	Drawing Name: 03_CAR_A_5x20_TrenchGrate	