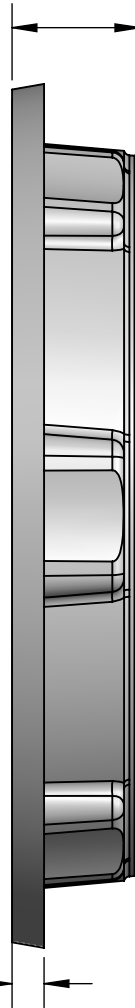
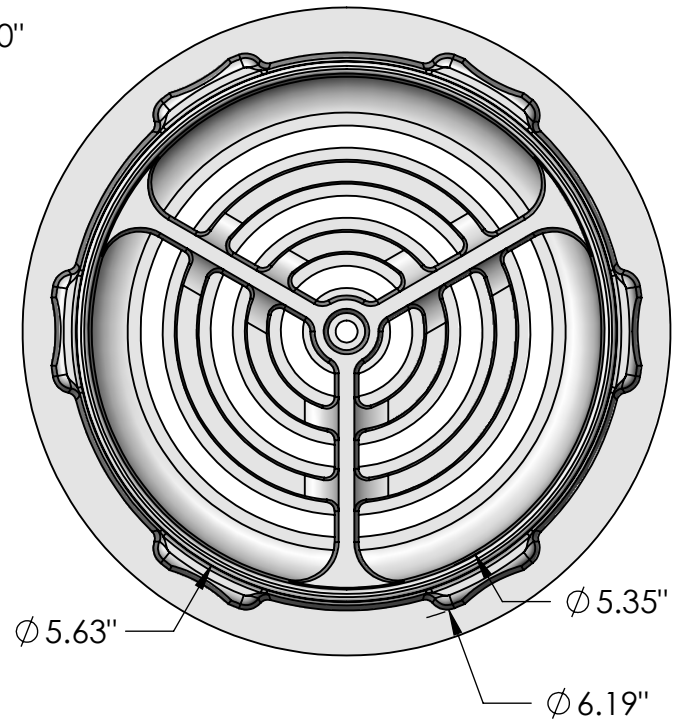


Ø 6.75"



1.00"

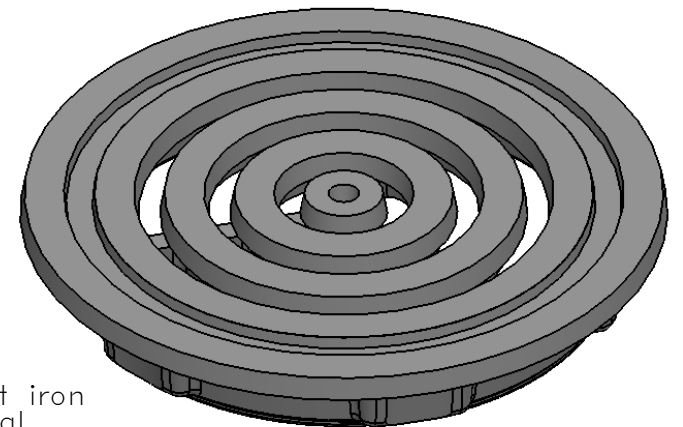
.25"



Ø 5.63"


Ø 5.35"

Ø 6.19"



NOTES:

1. Material: cast iron
2. Finish: Natural
3. Edge thickness: 1/4"~3/4"
4. Fits: **NDS® Spee-D® Basin**
5. Heel-Proof: No openings greater than 1/4"
6. Weight approx. <3.2
7. Due to casting inconsistencies all dimensions are nominal

 **IRON AGE** 2104 SW 152nd st. #4 TEL 206.276.0925
DESIGNS Burién, WA 98166 FAX 206.257.0318
www.ironagedesigns.com

Bullseye 6" Dia. Heel-Proof Catch Basin Grate

JOB NO. _____ Drawn by: JH
Date: 5/13/15
DWG. NO. 01-BUL.6dia Scale: Not to Scale