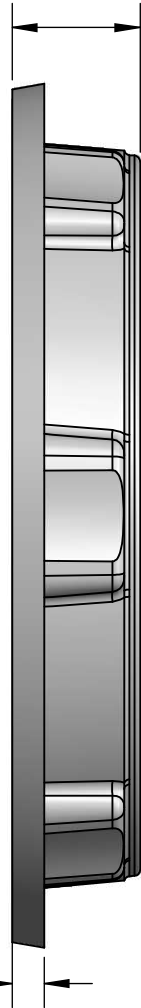
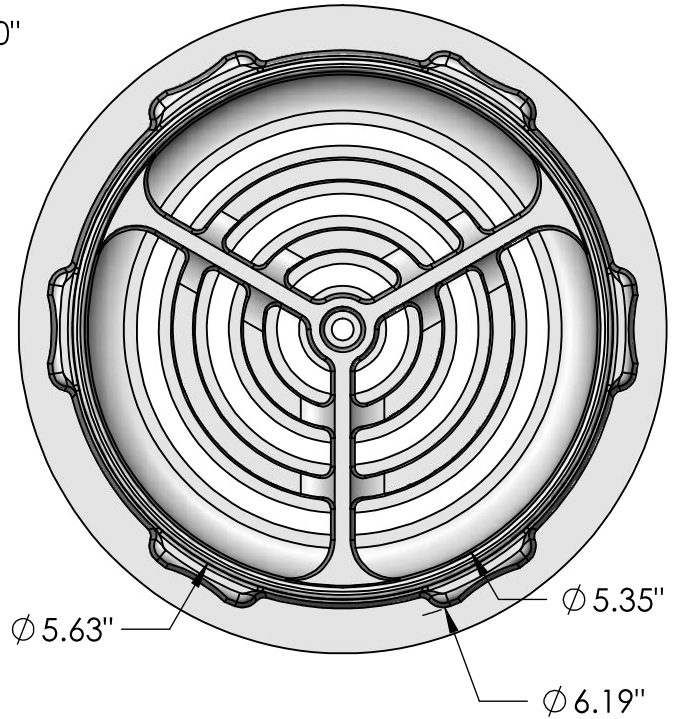


Ø 6.75"



1.00"

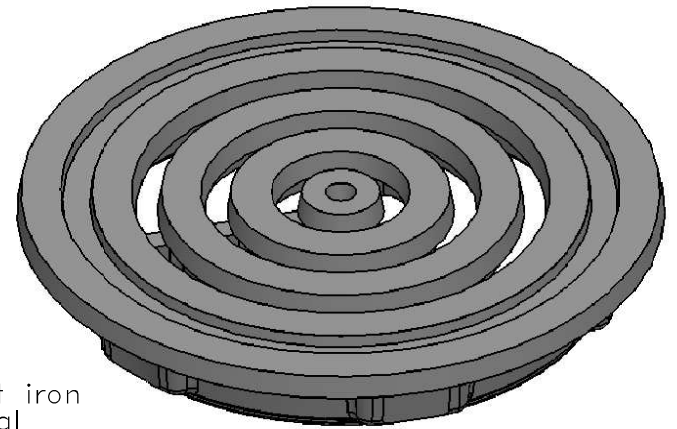
.25"




Ø 5.63"

Ø 5.35"

Ø 6.19"



 **IRON AGE** 2104 SW 152nd St. #4 TEL 206.276.0925  
**DESIGNS** Burién, WA 98166 FAX 206.257.0318  
[www.ironagedesigns.com](http://www.ironagedesigns.com)

Bullseye 6" Dia. Heel-Proof Catch Basin Grate

JOB NO. \_\_\_\_\_ Drawn by: JH  
 DWG. NO. 01-BUL.6dia Date: 5/13/15  
 Scale: Not to Scale

**NOTES:**

1. Material: cast iron
2. Finish: Natural
3. Edge thickness: 1/4"~3/4"
4. Fits: NDS® Spee-D® Basin
5. Heel-Proof: No openings greater than 1/4"
6. Weight approx. <3.2
7. Due to casting inconsistencies all dimensions are nominal