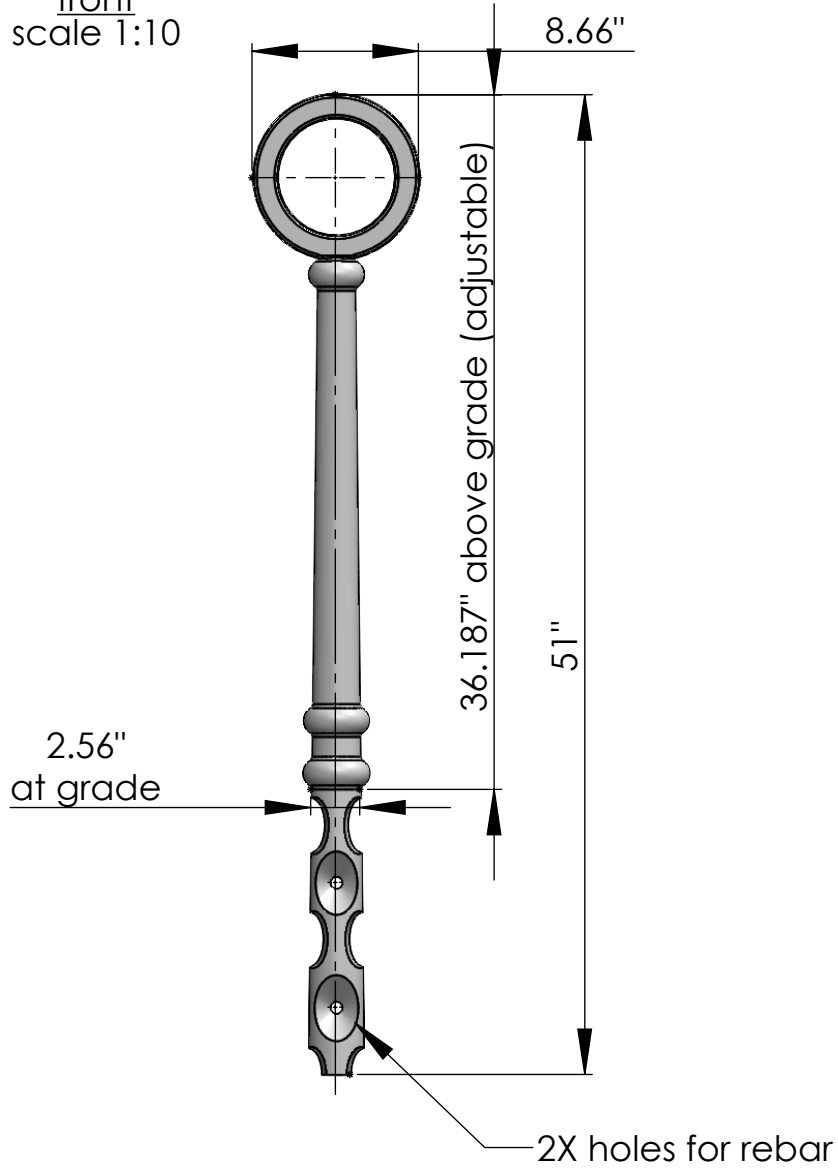
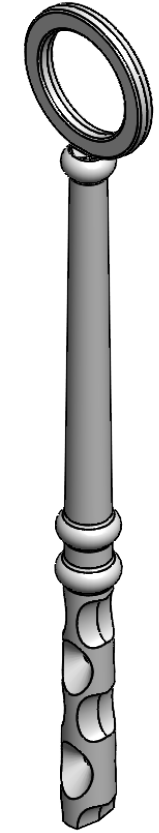


front  
scale 1:10



side  
scale 1:10




isometric  
scale 1:10

**Bergen Bollard**

**NOTES:**

1. Due to casting inconsistencies, all dimensions are nominal.

Made in USA ©2012 Iron Age Designs

 <b>IRON AGE DESIGNS</b> Telephone 206.276.0925 www.ironagegrates.com	<b>Material:</b> Cast Aluminum 356T-6	<b>Weight:</b> 23 lbs.	<b>Free Drain Area:</b> N/A in/sq. or N/A %	<b>By:</b> MS <b>Checked:</b> MS <b>Date:</b> 10-15-25
	<b>Finish:</b> Powder Coat TBD	<b>Edge:</b> N/A	<b>Flow Rate:</b> N/A GPM, or N/A CuFt./sec.	<b>© Registration:</b> Pending <b>Scale:</b> NTS
	<b>Fits:</b> Embedment	<b>Product ID:</b> BRB036A	<b>Drawing Name:</b> 01-BER.B.36	