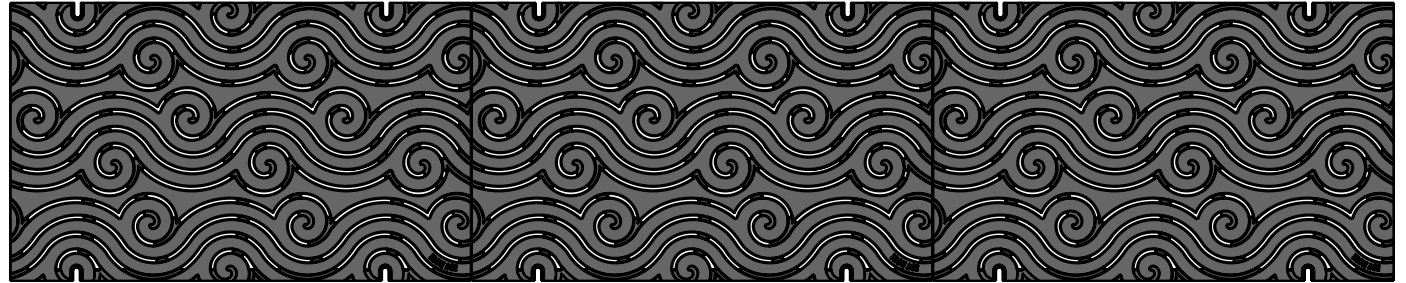
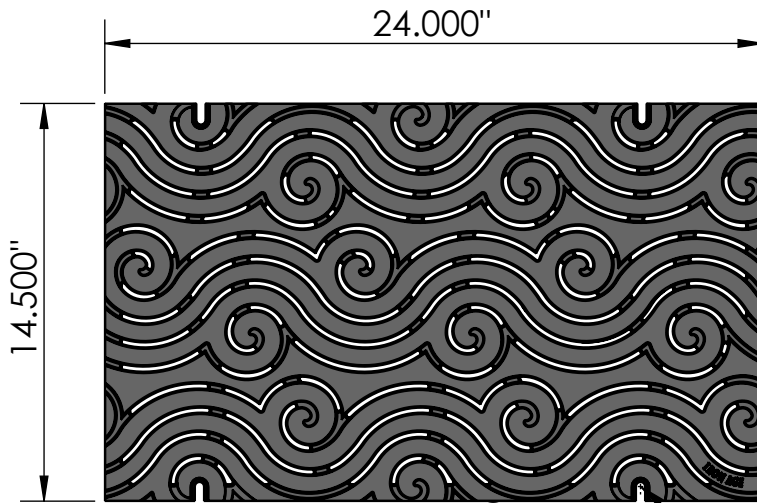


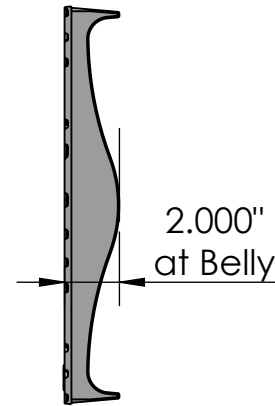
3 ARRAY
scale 1:10



TOP VIEW
scale 1:7



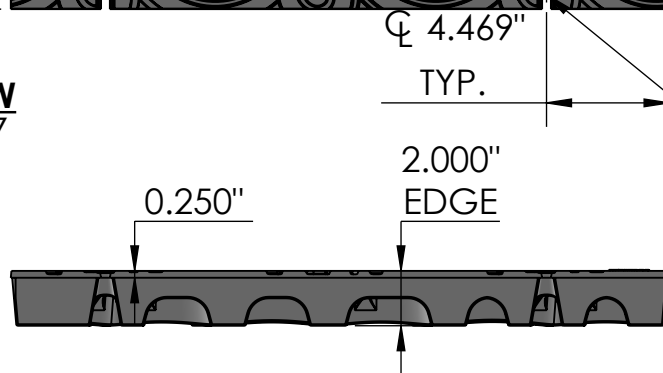
END VIEW
scale 1:7



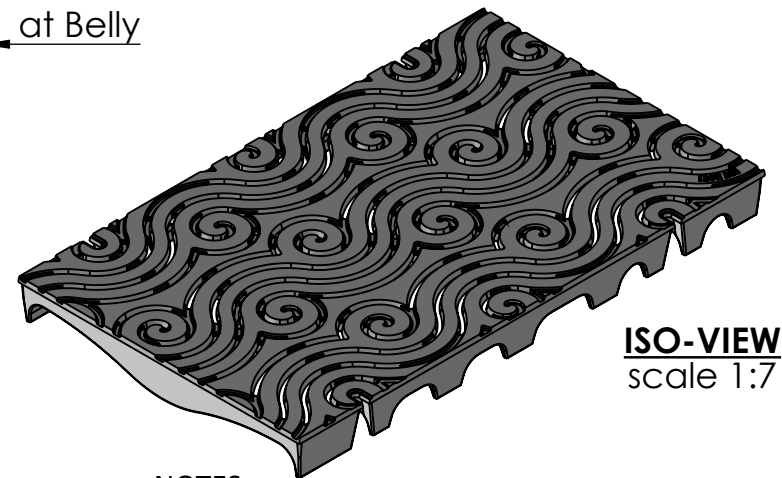
CASTING-ID
scale 1:1



SIDE VIEW
scale 1:7



1/4"-20 (4x)
Pan Head
STD-Bolt




ISO-VIEW
scale 1:7

NOTES:

1. Heelproof: No thru openings greater than 1/4".
2. Ships in pieces: 1
3. Due to casting inconsistencies, all dimensions are nominal.

Made in USA ©2019 Iron Age Designs

Argo 15" x 24" Trench Grate - Heel Proof

 IRON AGE DESIGNS Telephone 206.276.0925 www.ironagegrates.com	Material: Cast Iron A 48	Weight: 40.18 lbs.	Free Drain Area: 43.04 in/sq., or 12.36 %	By: MS	Checked: MS	Date: 1-11-23
	Finish: Raw	Edge: 2.000"	Flow Rate: 56.38 GPM, or .125 CuFt./sec.	© Registration: VA 2-330-302		Scale: NTS
	Fits: Iron Age Custom Frames SOLD SEPARATELY	Product ID: AX15-24199HP	Drawing Name: 01_ARG_I_14.5x24HP_TrenchGrate			