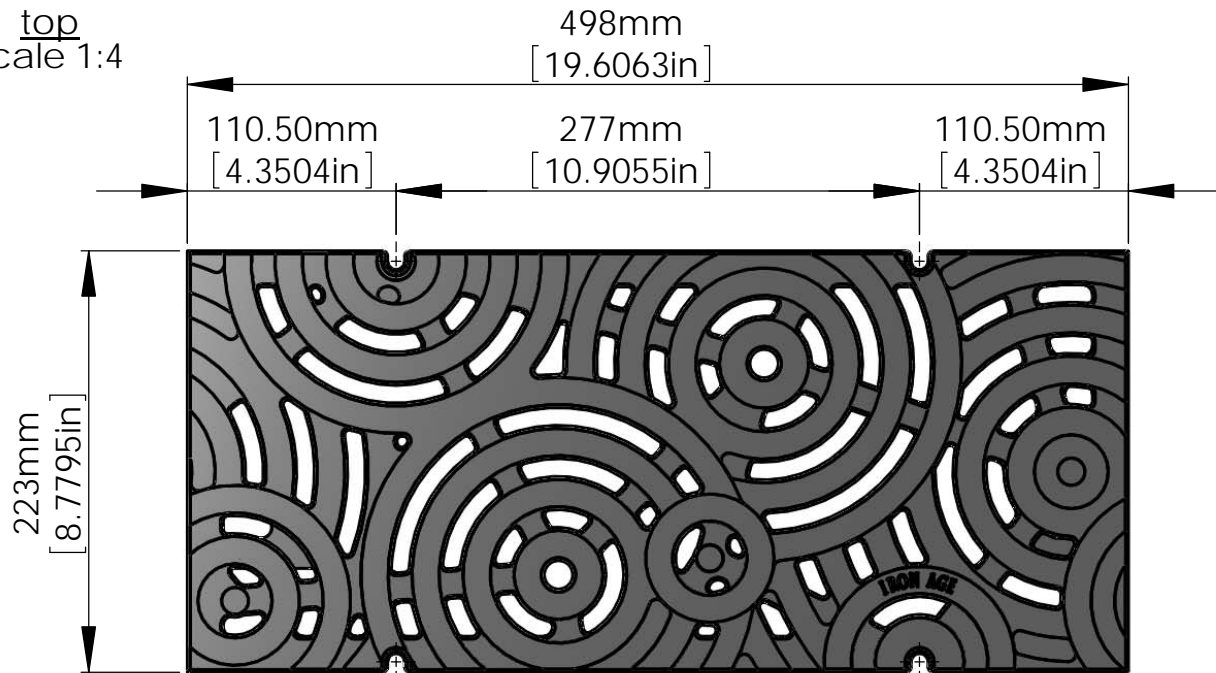
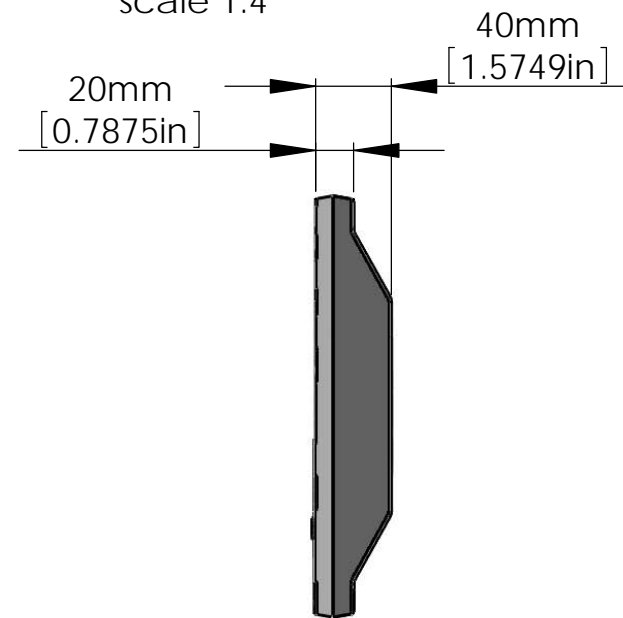


top
scale 1:4



end
scale 1:4



(4X) hole for m8 button-head screw,
locations correspond w/ bolt-dn holes
in MEADRAIN™ channel

edge
scale 1:4



(4X) drill point
to locate hole for
PROFIX™

perspective
scale 1:6



NOTES:

1. Material: cast ductile iron
2. Finish: Natural
3. Edge Thickness: 20mm
4. Replaces drain manufactured by:
MEADRAIN™ D400/E600 trench drains
5. No openings greater than: 12mm
6. Free Drain Area = 16%
7. Due to casting inconsistencies all dimensions are nominal

patent pending © 2011 Iron Age Designs

 **IRON AGE** 2104 SW 152nd st #4 TEL 206.276.0925
DESIGNS Burién, WA 98166 FAX 206.257.0318
www.ironagedesigns.com

Oblio 9" trench drain

Drawn by: CD

Date: 04/19/11

DWG. NO. OBL.M.E600

Scale: NTS