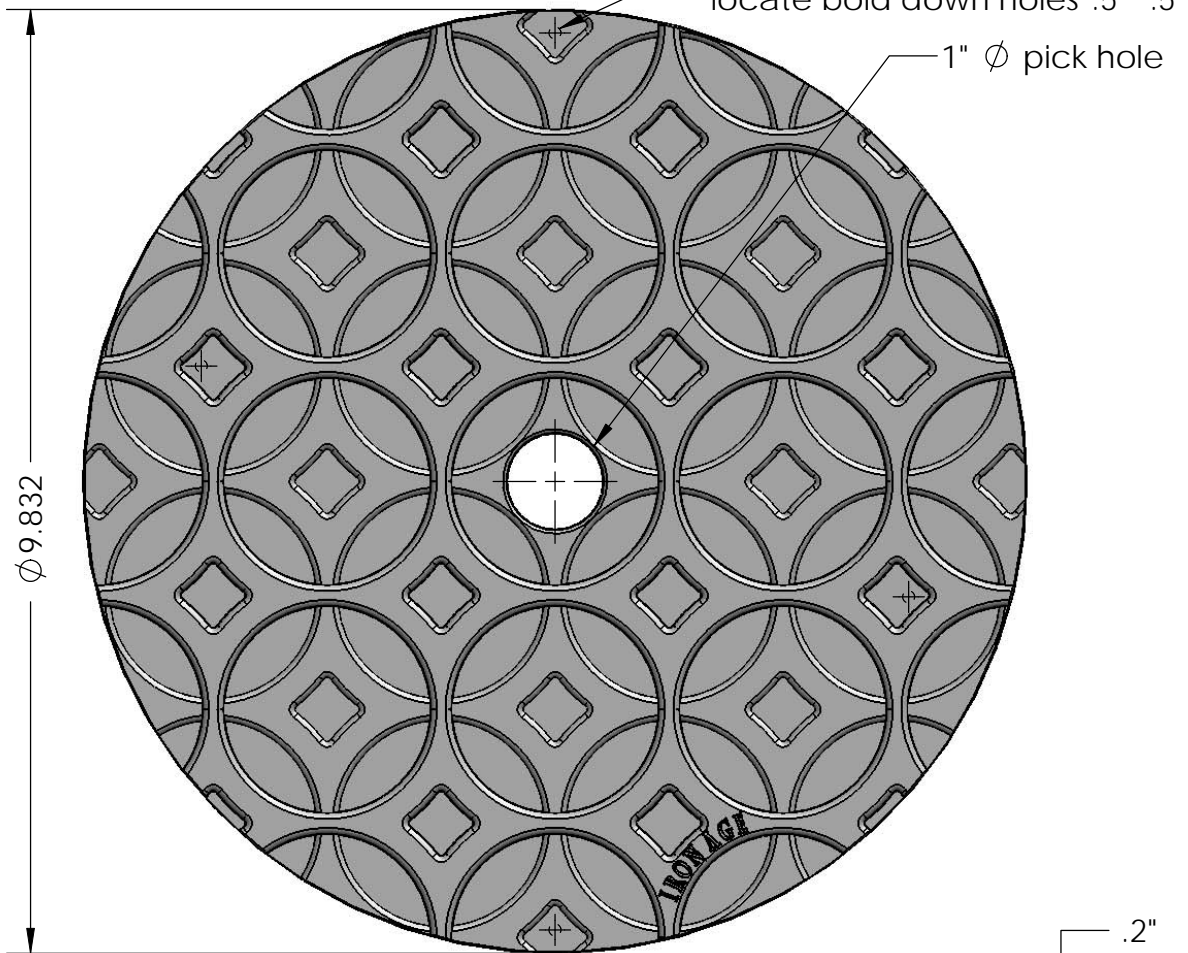


TOP
scale 1:2



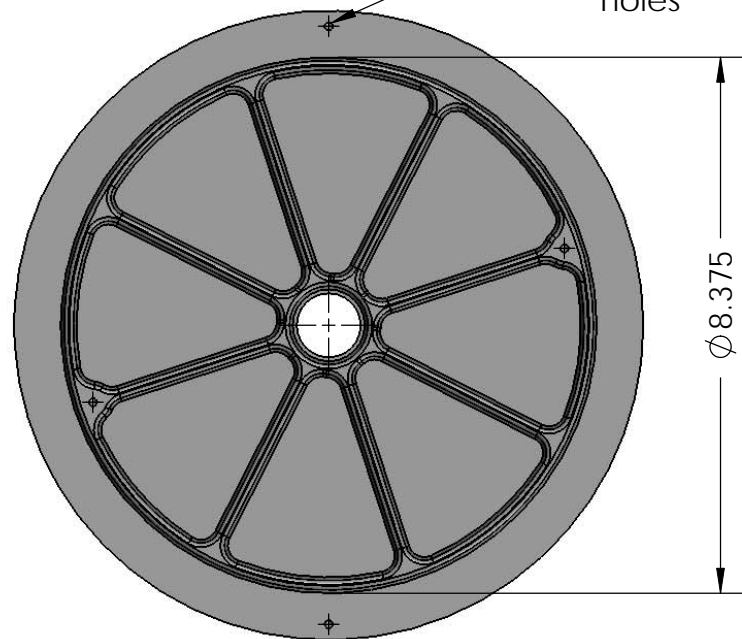
Ø 9.832

(4X) drill point - on rear - to locate bold down holes .5" .5"

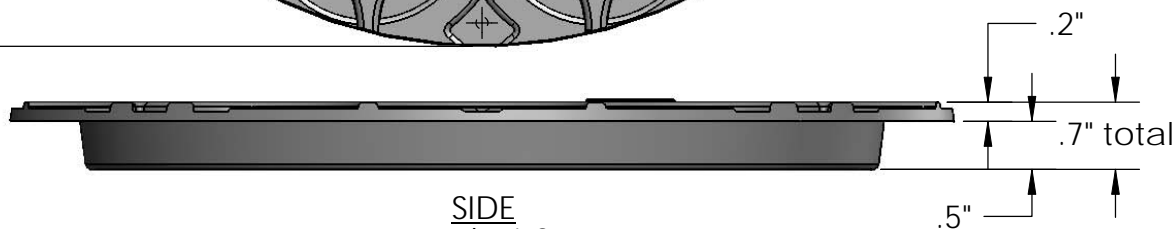
1" Ø pick hole

BACK
scale 1:3

(4X) drill point to locate bold down holes

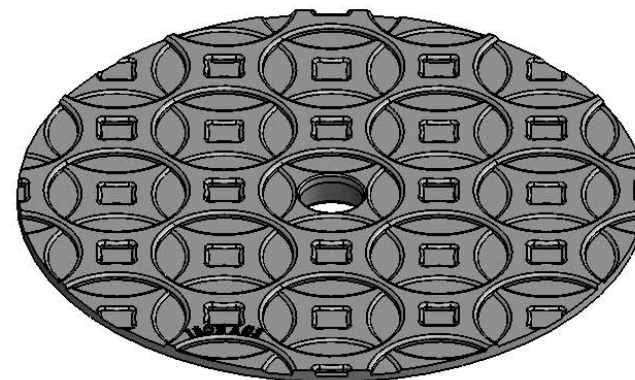


Ø 8.375



SIDE
scale 1:2

ISOMETRIC
scale 1:3



IRON AGE 2104 SW 152nd st #4 TEL 206.276.0925
DESIGNS Burién, WA 98166 FAX 206.257.0318
 www.ironagedesigns.com

Interlaken 10" skimmer lid

Drawn by: CD
Date: 11/15/10
Scale: NTS

DWG. NO. INT.SKIM.10"dia

NOTES:

1. Material: cast bronze
2. Finish: natural
3. Replaces skimmer lid manufactured by HAYWARD™ (part no. SP-1084-RI) & STA-RIGHT™ (part no. 8650-58)
4. Due to casting inconsistencies all dimensions are nominal

patent pending © 2010 Iron Age Designs